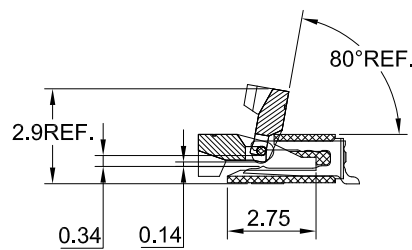
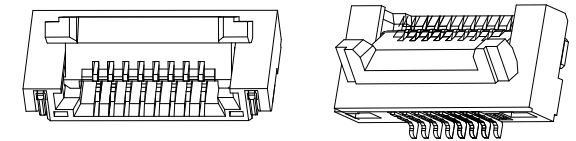
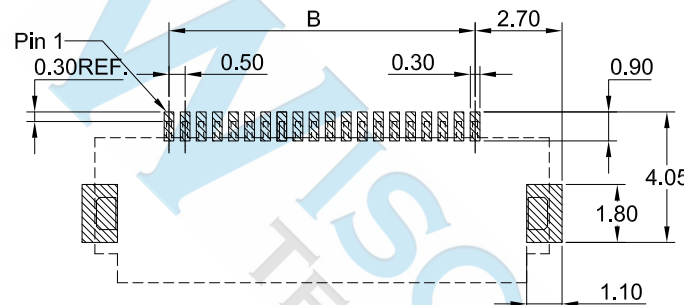


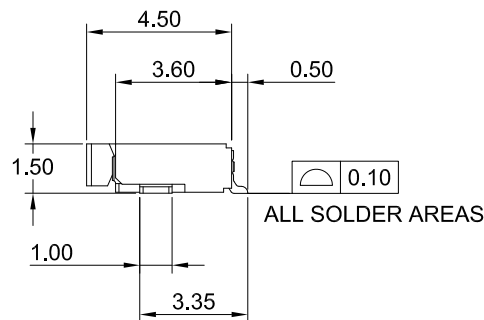
APPLICABLE FPC/FFC



SECTION A-A



PCB LAYOUT



NOTES:

1. MATERIAL:

- 1.1 HOUSING: HIGHT-TEMP PLASTIC,UL 94-V0,COLOR:NATURE
- 1.2 COVER: HIGHT-TEMP PLASTIC,UL 94-V0,COLOR:BLACK
- 1.3 CONTACT: COPPER ALLOY
- 1.4 LEG: BRASS

2. PLATING:

- 2.1 CONTACT: GOLD OR TIN PLATED ON NICKEL OVERALL
- 2.2 LEG: TIN PLATED ON NICKEL OVERALL

3. RATING:

- 3.1 CURRENT RATING: 0.5A AC/DC
- 3.2 VOLTAGE RATING: 25V AC/DC
- 3.3 TEMPERATURE RANGE: -25°C~+85°C

PIN NO.	DIM.A	DIM.B	DIM.C	PIN NO.	DIM.A	DIM.B	DIM.C	PIN NO.	DIM.A	DIM.B	DIM.C
4	6.10	1.50	2.57	23	15.60	11.00	12.07	42	25.10	20.50	21.57
5	6.60	2.00	3.07	24	16.10	11.50	12.57	43	25.60	21.00	22.07
6	7.10	2.50	3.57	25	16.60	12.00	13.07	44	26.10	21.50	22.57
7	7.60	3.00	4.07	26	17.10	12.50	13.57	45	26.60	22.00	23.07
8	8.10	3.50	4.57	27	17.60	13.00	14.07	46	27.10	22.50	23.57
9	8.60	4.00	5.07	28	18.10	13.50	14.57	47	27.60	23.00	24.07
10	9.10	4.50	5.57	29	18.60	14.00	15.07	48	28.10	23.50	24.57
11	9.60	5.00	6.07	30	19.10	14.50	15.57	49	28.60	24.00	25.07
12	10.10	5.50	6.57	31	19.60	15.00	16.07	50	29.10	24.50	25.57
13	10.60	6.00	7.07	32	20.10	15.50	16.57	51	29.60	25.00	26.07
14	11.10	6.50	7.57	33	20.60	16.00	17.07	52	30.10	25.50	26.57
15	11.60	7.00	8.07	34	21.10	16.50	17.57	53	30.60	26.00	27.07
16	12.10	7.50	8.57	35	21.60	17.00	18.07	54	31.10	26.50	27.57
17	12.60	8.00	9.07	36	22.10	17.50	18.57	55	31.60	27.00	28.07
18	13.10	8.50	9.57	37	22.60	18.00	19.07	56	32.10	27.50	28.57
19	13.60	9.00	10.07	38	23.10	18.50	19.57	57	32.60	28.00	29.07
20	14.10	9.50	10.57	39	23.60	19.00	20.07	58	33.10	28.50	29.57
21	14.60	10.00	11.07	40	24.10	19.50	20.57	59	33.60	29.00	30.07
22	15.10	10.50	11.57	41	24.60	20.00	21.07	60	34.10	29.50	30.57

DIMENSIONS TOLERANCE	UNITS	MM	FINISH	SEE NOTE	CH'K	Calvin
Up to 5	±0.2					
Above 5~15	±0.3					
Above 15~30	±0.4					
Above 30~50	±0.5					
Angle	±0.3°					

UNITS	MM	FINISH	SEE NOTE	CH'K	Calvin
QTY	N/A	DRAW	Johnson	APP'D	Selena
MT'L	SEE NOTE	DE'N	Mike	DATE	July .03 . 2019

DRAW NAME	
FPC 0.5 CONN 1.5H SMT PAINO TYPE	
PART NUMBER	WF0515F-xx-x-x
DRAW NUMBER	T002
FILE NAME	.DWG

WISCONN Technology Co., Ltd							
Tel:+886-2-2790-1979 Fax:+886-2-2790-1569							
SCALE	1/1	SIZE	A4	SHEET	1	REV.	A