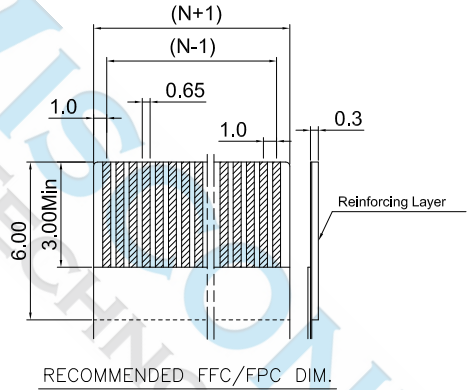
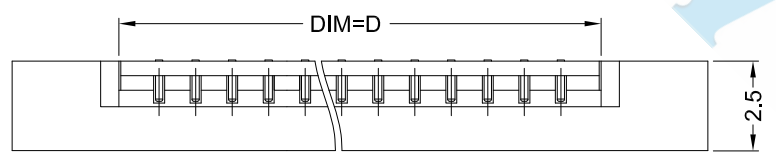


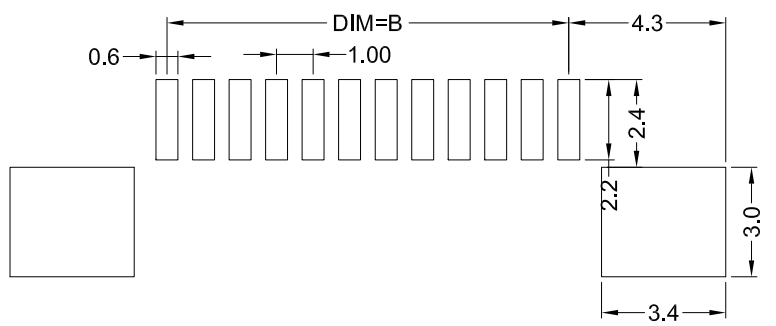
上接触



Material:

- 1.1 Housing: LCP
- 1.2 Contact: Phosphor Bronze, Tin PLated
- 1.3 Slider: LCP

RECOMMENDED PCB LAYOUT



PIN數	DIM=A	DIM=B	DIM=C	DIM=D
04	9.2	3.0	11.0	5.1
05	10.2	4.0	12.0	6.1
06	11.2	5.0	13.0	7.1
07	12.2	6.0	14.0	8.1
08	13.2	7.0	15.0	9.1
09	14.2	8.0	16.0	10.1
10	15.2	9.0	17.0	11.1
11	16.2	10.0	18.0	12.1
12	17.2	11.0	19.0	13.1
13	18.2	12.0	20.0	14.1
14	19.2	13.0	21.0	15.1
15	20.2	14.0	22.0	16.1
16	21.2	15.0	23.0	17.1
17	22.2	16.0	24.0	18.1
18	23.2	17.0	25.0	19.1
20	25.2	19.0	27.0	21.1
22	27.2	21.0	29.0	23.1
24	29.2	23.0	31.0	25.1
25	30.2	24.0	32.0	26.1
26	31.2	25.0	33.0	27.1
27	32.2	26.0	34.0	28.1
28	33.2	27.0	35.0	29.1
30	35.2	29.0	37.0	31.1
32	37.2	31.0	39.0	33.1
34	39.2	33.0	41.0	35.1
35	40.2	34.0	42.0	36.1
36	41.2	35.0	43.0	37.1
40	45.2	39.0	47.0	41.1

A	DIMENSIONS TOLERANCE		UNITS	MM	FINISH	SEE NOTE	CH'K	Calvin	DRAW NAME		WISCONN Technology Co., Ltd Tel:+886-2-2790-1979 Fax:+886-2-2790-1569			
	METRIC		QTY	N/A	DRAW	Johnson	APP'D	Selena	FPC 1.0 H:2.5mm 拉拔式 上接觸					
	.0=±0.30 .00=±0.20 .000=±0.10 ANG.=±2°		MT'L	SEE NOTE	DE'N	Mike	DATE	August .05 .2019	PART NUMBER	WF10K1-A-xx-P-R	SCALE	1/1	SIZE	A4
									DRAW NUMBER	T002	SHEET	1	REV.	A
								FILE NAME .DWG						