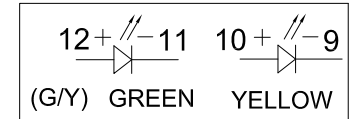
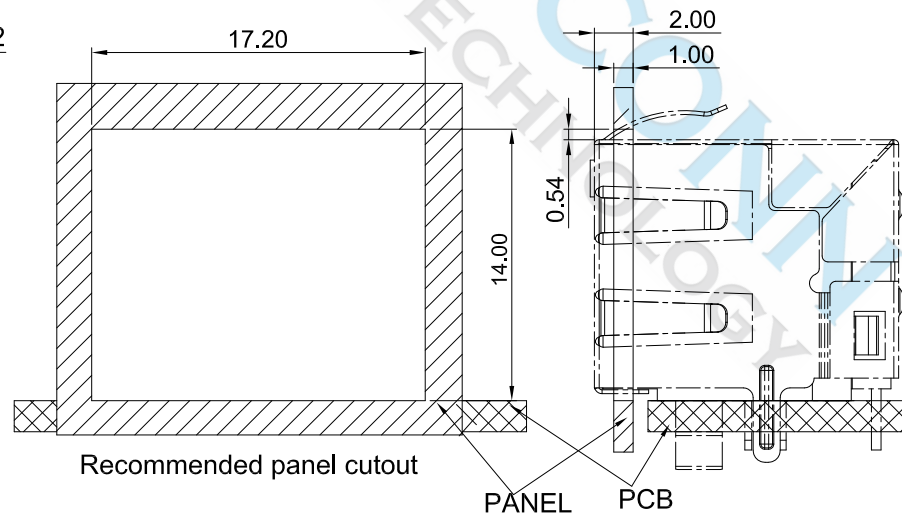
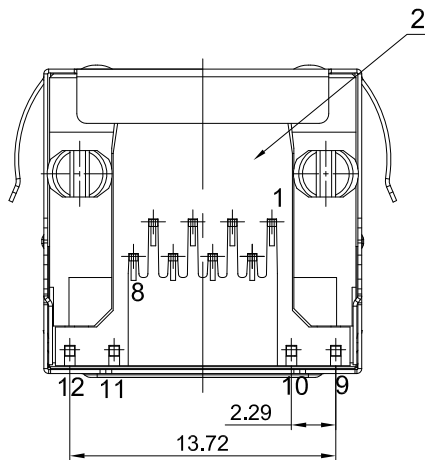


RECOMMENDED P.C.B LAYOUT TOP VIEW

NOTE:

- 1.Housing:Glass Filled PA46 BLACK UL94V-0(ROHS).
- 2.Insert:Glass Filled PBT BLACK UL94V-0(ROHS).
- 3.Contact:0.35x0.46 Phosphor Bronze gold Plating Over Nickel(ROHS).
- 4.SHELL:0.2mm Thickness Copper Alloywith Nickel Plated(ROHS).
- 5.Led1:GREEN(ROHS).
- 6.Led2:YELLOW(ROHS).

※MATES WITH MODULAR PLUG CONFORMING TO FCC PART 68,SUBPART F.



DIMENSIONS TOLERANCE
METRIC

Up to 5	±0.2
Above 5~15	±0.3
Above 15~30	±0.4
Above 30~50	±0.5
Angle	±0.3°

UNITS	MM	FINISH	SEE NOTE	CH'K	Calvin
QTY	N/A	DRAW	Johnson	APP'D	Selena
MT'L	SEE NOTE	DE'N	Mike	DATE	October . 07. 2019

DRAW NAME RJ45 8P8C JACK 1x1 DIP(RA)W-SHELL (3.56) W-LED(GY)	
PART NUMBER	WRJ5S-08FPBDR-GY
DRAW NUMBER	C011
FILE NAME .DWG	

WISCONN Technology Co., Ltd							
Tel:+886-2-2790-1979 Fax:+886-2-2790-1569							
SCALE	1/1	SIZE	A4	SHEET	1	REV.	A