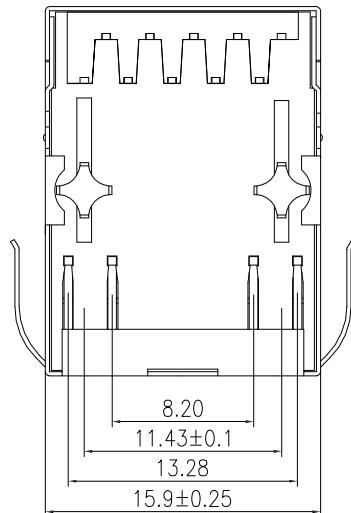


P.C.B RECOMMENDED HOLE LAYOUT SEEN FROM COMPONENT SIDE.
ALL CENTERLINE DIMENSIONS ARE BASIC



LED Specification

Standard LED Color	LED Wavelength	Forward (V MAX)	Typical (V TYP)	Luminous Intensity
Green	560-580 nm	2.5V	2.1-2.2V	9-25 MCD
Yellow	580-610 nm	2.5V	2.1-2.2V	9-30 MCD

- Connector Material:
Housing: Thermoplastic UL94 V-0
Contact/Shield: Copper alloy
Shield Plating: Nickel
Contact Plating: Selective gold 6u"; 15u"; 30u"; 50u" Min
- Tolerances comply with F.C.C dimension requirements
- Durability: 800 mating Min
- Meets or Exceeds IEC 60320-3 standards including 350uH Min OCL @100kHz 100mV 8mA DC

- LED intensity/wavelength measured with Photo Research PR-650 Colormeter
- With a forward current of 20 mA, Absolute Maximum Ratings (Ta=25°C)

DIMENSIONS TOLERANCE METRIC	UNITS	MM	FINISH	SEE NOTE	CHK	Calvin	DRAW NAME		WISCONN Technology Co., Ltd Tel:+886-2-2790-1979 Fax:+886-2-2790-1569						
Up to 5 ±0.2	QTY	N/A	DRAW	Johnson	APP'D	Selena	RJ45 1X1 10-100 POE(30W 600mA 58V)								
Above 5~15 ±0.3							90D EMI TD LED(GY) L21.35mm								
Above 15~30 ±0.4	MT'L	SEE NOTE	DE'N	Mike	DATE	March . 16 . 2020	PART NUMBER	WRJ-1103D1001							
Above 30~50 ±0.5							DRAW NUMBER	C006							
Angle ±0.3°							FILE NAME .DWG	SCALE	1/1	SIZE	A4	SHEET	1	REV.	A

