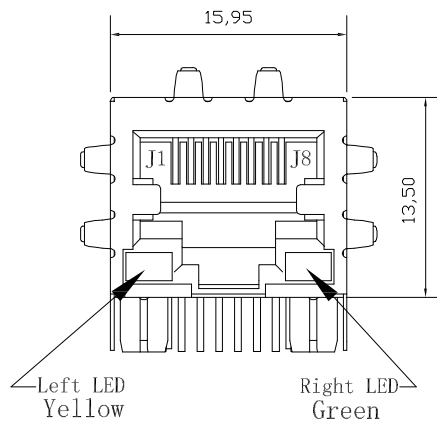


P.C.B. RECOMMENDED HOLE LAYOUT SEEN FROM COMPONENT SIDE.
ALL CENTERLINE DIMENSIONS ARE BASIC



LED Specification

Standard LED Color	LED Wavelength	Forward (V MAX)	Typical (V TYP)	Luminous Intensity
Green	560-580 nm	2.5V	2.1-2.2V	9-25 MCD
Yellow	580-610 nm	2.5V	2.1-2.2V	9-30 MCD

- LED intensity/wavelength measured with Photo Research PR-650 Colormeter
- With a forward current of 20 mA, Absolute Maximum Ratings (Ta=25°C)

4.1. Connector Material:

Housing: Thermoplastic UL94 V-0

Contact/Shield: Cooper alloy

Shield Plating: Nickel

Contact Plating: Selective gold 6u" Min

4.2. Tolerances comply with F.C.C dimension requirements

4.3. Durability: 800 mating Min

DIMENSIONS TOLERANCE	UNITS	MM	FINISH	SEE NOTE	CH'K	Calvin
Up to 5	±0.2					
Above 5~15	±0.3					
Above 15~30	±0.4					
Above 30~50	±0.5					
Angle	±0.3°					

UNITS	MM	FINISH	SEE NOTE	CH'K	Calvin
QT'Y	N/A	DRAW	Johnson	APP'D	Selena
MT'L	SEE NOTE	DE'N	Mike	DATE	OCT.17.2017

DRAW NAME	
RJ45 1X1 POE 10/100 EMI Tab	
Down LED:Y/G(4.06) L:21.35m	
PART NUMBER	WRJ-1104D10123-2
DRAW NUMBER	C006
FILE NAME .DWG	

WISCONN Technology Co., Ltd							
Tel:+886-2-2790-1979 Fax:+886-2-2790-1569							
SCALE	1/1	SIZE	A4	SHEET	1	REV.	A