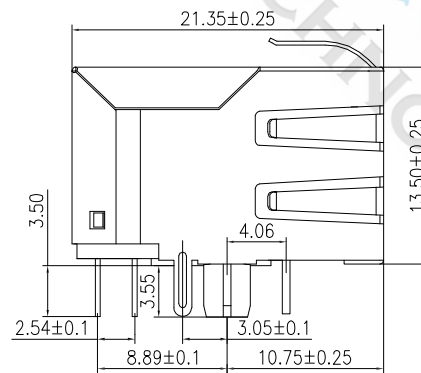


P.C.B. RECOMMENDED HOLE LAYOUT SEEN FROM COMPONENT SIDE.
ALL CENTERLINE DIMENSIONS ARE BASIC



LED Specification

Standard LED Color	LED Wavelength	Forward (V MAX)	Typical (V TYP)	Luminous Intensity
Green	560-580 nm	2.5V	2.1-2.2V	9-25 MCD
Yellow	580-610 nm	2.5V	2.1-2.2V	9-30 MCD

- LED intensity/wavelength measured with Photo Research PR-650 Colormeter
- With a forward current of 20 mA, Absolute Maximum Ratings (Ta=25°C)

- Connector Material:
Housing: Thermoplastic UL94 V-0
Contact/Shield: Cooper alloy
Shield Plating: Nickel
Contact Plating: Selective gold 6u" Min

- Tolerances comply with F.C.C dimension requirements
- Durability: 800 mating Min

DIMENSIONS TOLERANCE METRIC	UNITS	MM	FINISH	SEE NOTE	CH'K	Calvin	DRAW NAME RJ45 1x1 POE 10/100 EMI Tab Down LED:Y/G L:21.35mm 3.05mm		WISCONN Technology Co., Ltd					
Up to 5 ±0.2	QTY	N/A	DRAW	Johnson	APP'D	Selena	PART NUMBER	WRJ-1104D10193	Tel:+886-2-2790-1979 Fax:+886-2-2790-1569					
Above 5~15 ±0.3							DRAW NUMBER	C006	SCALE	1/1	SIZE	A4	SHEET	1
Above 15~30 ±0.4	MT'L	SEE NOTE	DE'N	Mike	DATE	NOV.03.2017	FILE NAME .DWG							
Above 30~50 ±0.5														
Angle ±0.3°														