

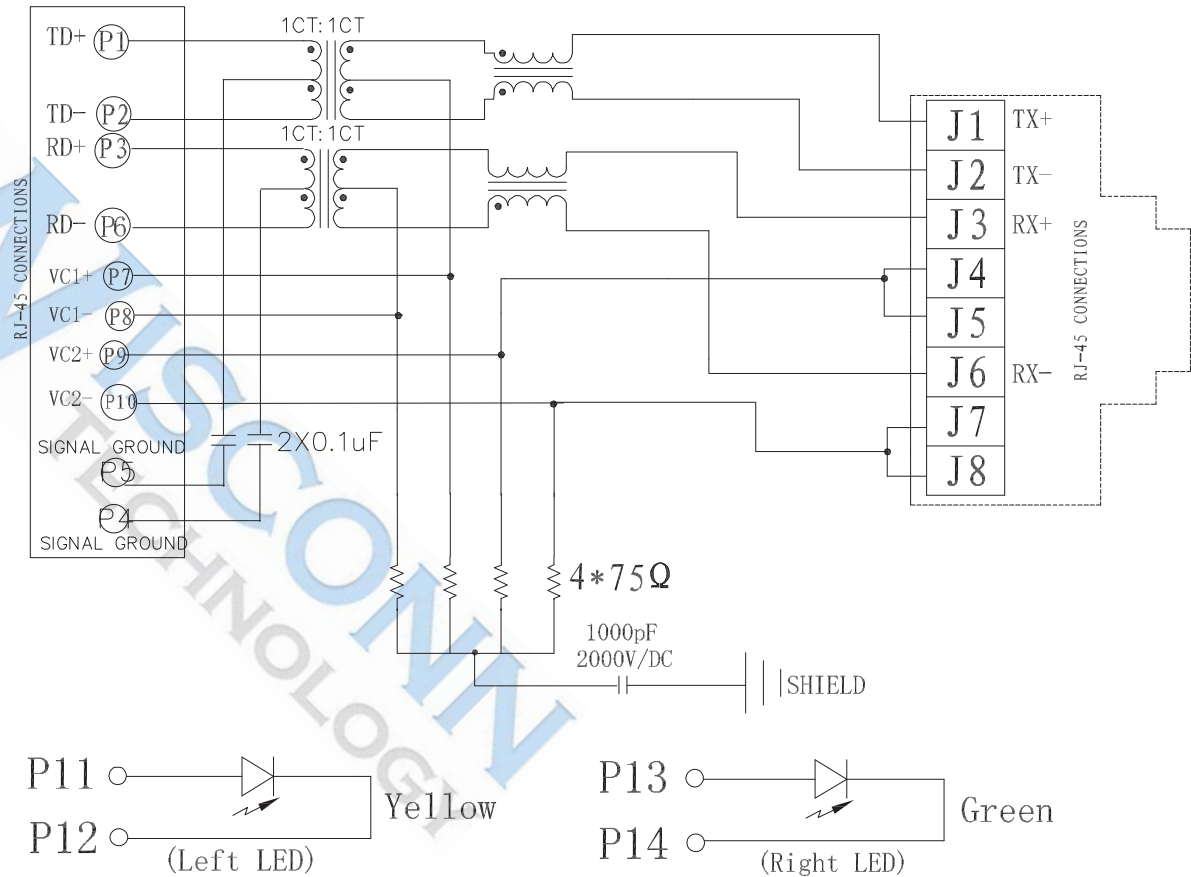
### 1. Electrical Specifications: @25°C

- 1.1. Isolation Voltage: 1500V/AC (Input to Output)
- 1.2. OCL: 350uH Minimum @100KHz 100mV 8mA DC
- 1.3. Insertion Loss: -1.0dB Maximum @100KHz-100MHz
- 1.4. Return Loss: -18dB Minimum @1MHz-30MHz  
 -14dB Minimum @30MHz-60MHz  
 -12dB Minimum @60MHz-80MHz  
 -10dB Minimum @80MHz-100MHz
- 1.5. Common Mode Rejection: -30dB Minimum @1MHz-100MHz
- 1.6. Cross Talk: -30dB Minimum @1MHz-100MHz

### 2. Operating and Storage Temperature:

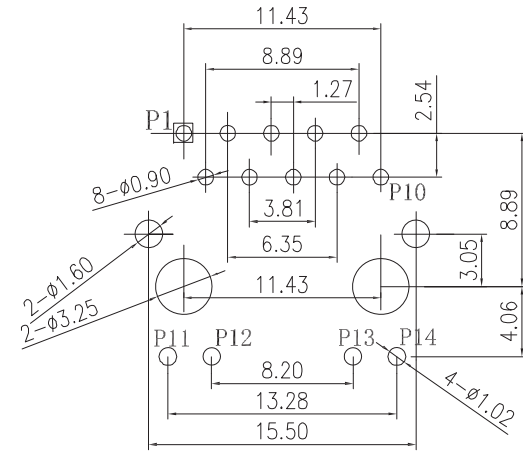
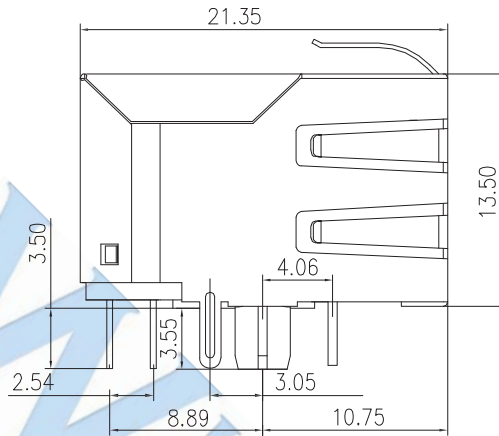
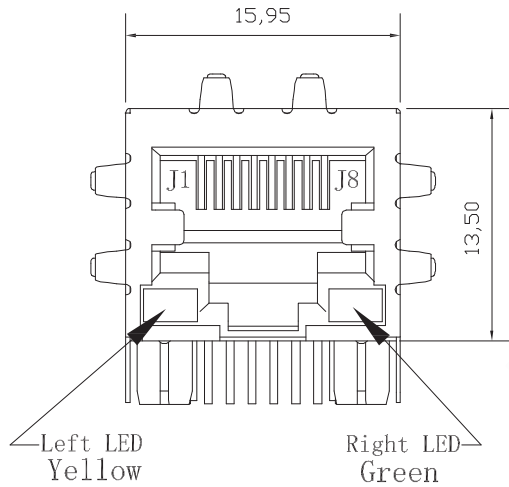
- 2.1. Operating Temperature: -40°C to +85°C
- 2.2. Storage Temperature: -40°C to +85°C

### 3. Schematics:

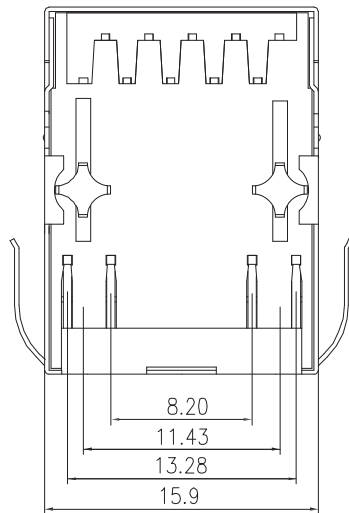


DIMENSIONS TOLERANCE METRIC	UNITS	MM	FINISH	SEE NOTE	CH'K	Calvin	DRAW NAME		WISCONN Technology Co., Ltd Tel:+886-2-2790-1979 Fax:+886-2-2790-1569						
Up to 5 ±0.2	QTY	N/A	DRAW	Johnson	APP'D	Selena	RJ45 1x1 POE VC+ 10-100 EMI Tab Down								
Above 5~15 ±0.3							LED:Y/G L21.35m 3.05mm								
Above 15~30 ±0.4	MT'L	SEE NOTE	DE'N	Mike	DATE	June.13.2018	PART NUMBER	WRJ-1104D10210T							
Above 30~50 ±0.5							DRAW NUMBER	C006							
Angle ±0.3°							FILE NAME .DWG	SCALE	1/1	SIZE	A4	SHEET	1	REV.	A

4. Mechanicals:



P. C. B RECOMMENDED HOLE LAYOUT SEEN FROM COMPONENT SIDE.  
ALL CENTERLINE DIMENSIONS ARE BASIC



LED Specification

Standard LED Color	LED Wavelength	Forward (V MAX)	Typical (V TYP)	Luminous Intensity
Green	560-580 nm	2.5V	2.1-2.2V	9-25 MCD
Yellow	580-610 nm	2.5V	2.1-2.2V	9-30 MCD
Orange	580-610 nm	2.5V	2.1-2.2V	50-100 MCD

- LED intensity/wavelength measured with Photo Research PR-650 Colorimeter
- With a forward current of 20 mA, Absolute Maximum Ratings (Ta=25°C)

4. 1. Connector Material:

Housing: Thermoplastic UL94 V-0  
 Contact/Shield: Cooper alloy  
 Shield Plating: Nickel  
 Contact Plating: Selective gold 6u"; 15u"; 30u"; 50u" Min

4. 2. Tolerances comply with F. C. C dimension requirements

4. 3. Durability: 800 mating Min

4. 4. Meets or Exceeds IEEE802.3af standards including 350uH Min OCL @100KHz 100mV 8mA DC

DIMENSIONS TOLERANCE	UNITS	MM	FINISH	SEE NOTE	CH'K	Calvin
Up to 5	±0.2					
Above 5~15	±0.3					
Above 15~30	±0.4					
Above 30~50	±0.5					
Angle	±0.3°					

UNITS	MM	FINISH	SEE NOTE	CH'K	Calvin
QTY	N/A	DRAW	Johnson	APP'D	Selena
MT'L	SEE NOTE	DE'N	Mike	DATE	June.13.2018

DRAW NAME	PART NUMBER
RJ45 1x1 POE VC+ 10-100 EMI Tab Down LED: Y/G L21. 35m 3.05mm	WRJ-1104D10210T
DRAW NUMBER	C006
FILE NAME .DWG	

**WISCONN Technology Co., Ltd**  
 Tel: +886-2-2790-1979 Fax: +886-2-2790-1569

SCALE	1/1	SIZE	A4	SHEET	2	REV.	A
-------	-----	------	----	-------	---	------	---