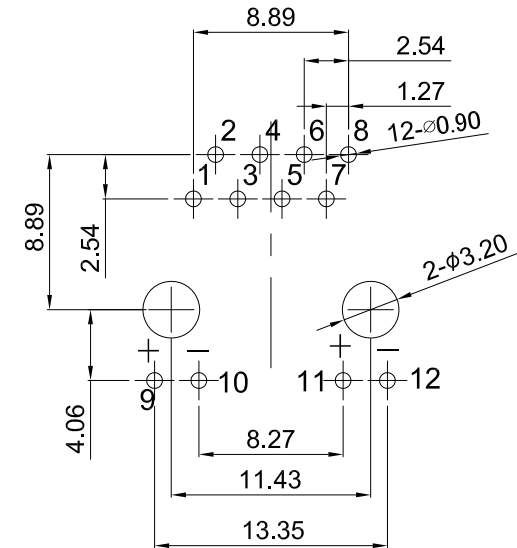
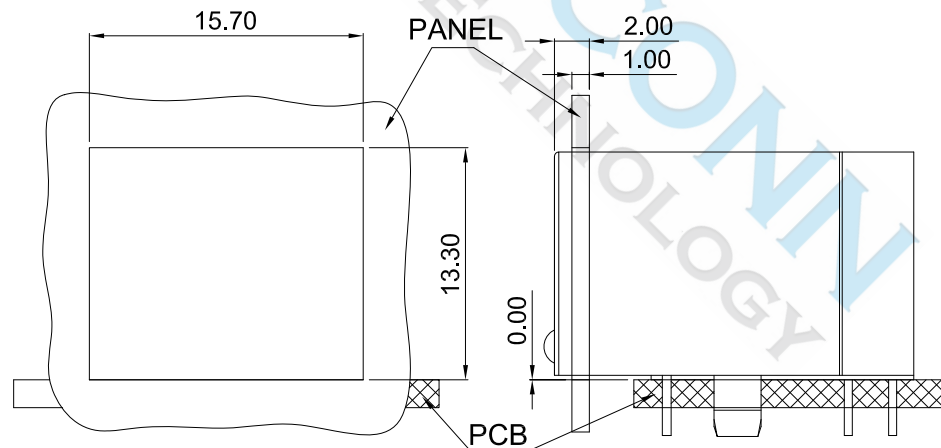
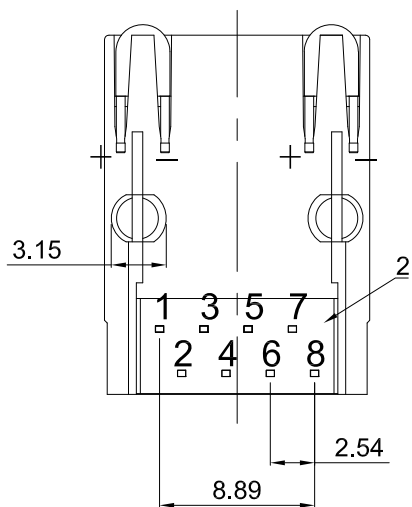


LED PIN DEFINE



RECOMMENDED P.C.B LAYOUT
TOP VIEW (COMPONENT SIDE)



Recommended panel cutout

MATERIALS:

- 1.Housing:PA46 BLACK UL94V-0.
 - 2.Insert:PBT UL94V-0.
 - 3.Contact:0.35*0.46mm Phosphor Bronze gold Plating Over Nickel.
 - 4.LED1:YELLOW RoHS.
 - 5.LED2:GREEN RoHS.
- *MATES WITH MODULAR PLUG CONFORMING TO FCC PART 68,SUBPART F.

DIMENSIONS TOLERANCE
METRIC

Up to 5	±0.2
Above 5~15	±0.3
Above 15~30	±0.4
Above 30~50	±0.5
Angle	±0.3°

UNITS	MM	FINISH	SEE NOTE	CH'K	Calvin
QTY	N/A	DRAW	Johnson	APP'D	Selena
MT'L	SEE NOTE	DE'N	Mike	DATE	July .05 . 2019

DRAW NAME	
RJ45 8P8C 1X1 No Shelid G/F	
TD 90D LED(YG) 12.8H	
PART NUMBER	WRJ5H-88-11-FRB1118
DRAW NUMBER	C011
FILE NAME .DWG	

WISCONN Technology Co., Ltd

Tel:+886-2-2790-1979 Fax:+886-2-2790-1569

SCALE	1/1	SIZE	A4	SHEET	1	REV.	A
-------	-----	------	----	-------	---	------	---