

**RECOMMENDED PCBA LAYOUT**

**SPECIFICATIONS:**

**1.MATERIAL:**

- 1.1 HOUSING: LCP, UL 94V-0
- 1.2 CONTACT: PHOSPHOR BRONZE
- 1.3 SHELL: BRASS

**2.PLATING:**

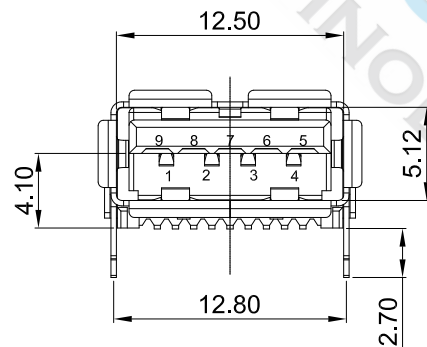
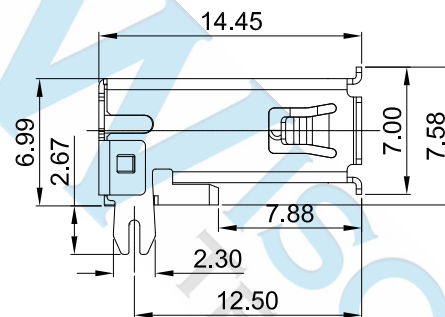
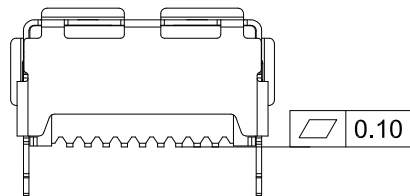
- 2.1 TERMINAL: PLATED GOLD IN MATING AREA ;  
TIN PLATED ON SOLDER BALLS ;  
NICKEL UNDER PLATED OVERALL
- 2.2 SHELL: NICKEL UNDER PLATED SURFACE LAYER

**3.ELECTRICAL CHARACTERISTICS:**

- 3.1 CONTACT RESISTANCE: 30mΩ MAXIMUM
- 3.2 CONTACT CURRENT RATING: 1.5A
- 3.3 DIELECTRIC WITHSTANDING VOLTAGE: 100 V R.M.S.
- 3.4 INSULATION RESISTANCE: 100 MΩ MIN
- 3.5 OPERATING TEMPERATURE: -40°C ~ 85°C

**4 MECHANICAL CHARACTERISTICS:**

- 4.1 MATING FORCE: 3.57kg MAX
- 4.2 UNMATED FORCE: 1.02kg MIN
- 4.3 DURABILITY: 1500 CYCLES



Pin NUMBER	SIGNAL NAME
1	VBUS
2	D-
3	D+
4	GND
5	StdA_SSRX-
6	StdA_SSRX+
7	GND_DRAIN
8	StdA_SSTX-
9	StdA_SSTX+
Shell	Shield

DIMENSIONS TOLERANCE	UNITS	MM	FINISH	SEE NOTE	CH'K	Calvin	DRAW NAME
METRIC							USB3.0 A/F 90度 後魚叉長度2.7mm 本體:14.45mm
Up to 5	±0.2						PART NUMBER
Above 5~15	±0.3						WU3AF-9-xxBUR12-S12
Above 15~30	±0.4						DRAW NUMBER
Above 30~50	±0.5						T002
Angle	±0.3°						FILE NAME .DWG

UNITS	MM	FINISH	SEE NOTE	CH'K	Calvin	DRAW NAME
QTY	N/A	DRAW	Johnson	APP'D	Selena	USB3.0 A/F 90度 後魚叉長度2.7mm 本體:14.45mm
MT'L	SEE NOTE	DE'N	Mike	DATE	October.08.2018	PART NUMBER
						WU3AF-9-xxBUR12-S12
						DRAW NUMBER
						T002
						FILE NAME .DWG

**WISCONN Technology Co., Ltd**

Tel:+886-2-2790-1979 Fax:+886-2-2790-1569

SCALE	SIZE	SHEET	REV.
1/1	A4	1	A