

SPECIFICATIONS:

1.MATERIAL:

- 1.1 INSULATOR: LCP UL 94V-0
- 1.2 CONTACT: PHOSPHOR BRONZE
- 1.3 SHELL: BRASS / SPCC

2.ELECTRICAL CHARACTERISTICS:

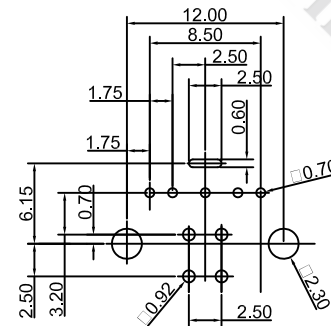
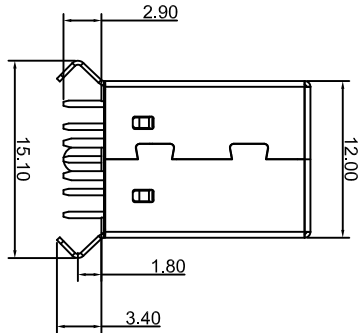
- 2.1 CONTACT RESISTANCE: 30mΩ MAXIMUM
- 2.2 CONTACT CURRENT RATING: 1.5A
- 2.3 DIELECTRIC WITHSTANDING VOLTAGE: 500 V R.M.S.
- 2.4 INSULATION RESISTANCE: 1,000 MEGOHMS MIN
- 2.5 OPERATING TEMPERATURE: -40°C ~ 85°C

3.MECHANICAL CHARACTERISTICS:

- 3.1 MATING FORCE: 3.57kg MAX
- 3.2 UNMATING FORCE: 1.02kg MIN
- 3.3 DURABILITY: MANDATORY: 5,000 CYCLES

4.PLATING:

- 4.1 Contact: Plated Gold in Mating Area ;
Tin Plated on Solder Balls ;
Nickel under plated overall
- 4.2 SHELL: Nickel under Plated surface layer



RECOMMENDED P.C.B LAYOUT

DIMENSIONS TOLERANCE
METRIC

Up to 5	±0.2
Above 5~15	±0.3
Above 15~30	±0.4
Above 30~50	±0.5
Angle	±0.3°

UNITS	MM	FINISH	SEE NOTE	CH'K	Calvin
QTY	N/A	DRAW	Johnson	APP'D	Selena
MT'L	SEE NOTE	DE'N	Mike	DATE	May . 24 . 2022

DRAW NAME	
USB3.0 B Female 180度 DIP 銅殼 15u"	
PART NUMBER	WU3BF-0915LBUDV-8.5
DRAW NUMBER	T002
FILE NAME	DWG

WISCONN Technology Co., Ltd							
Tel: +886-2-2790-1979 Fax: +886-2-2790-1569							
SCALE	1/1	SIZE	A4	SHEET	1	REV.	A