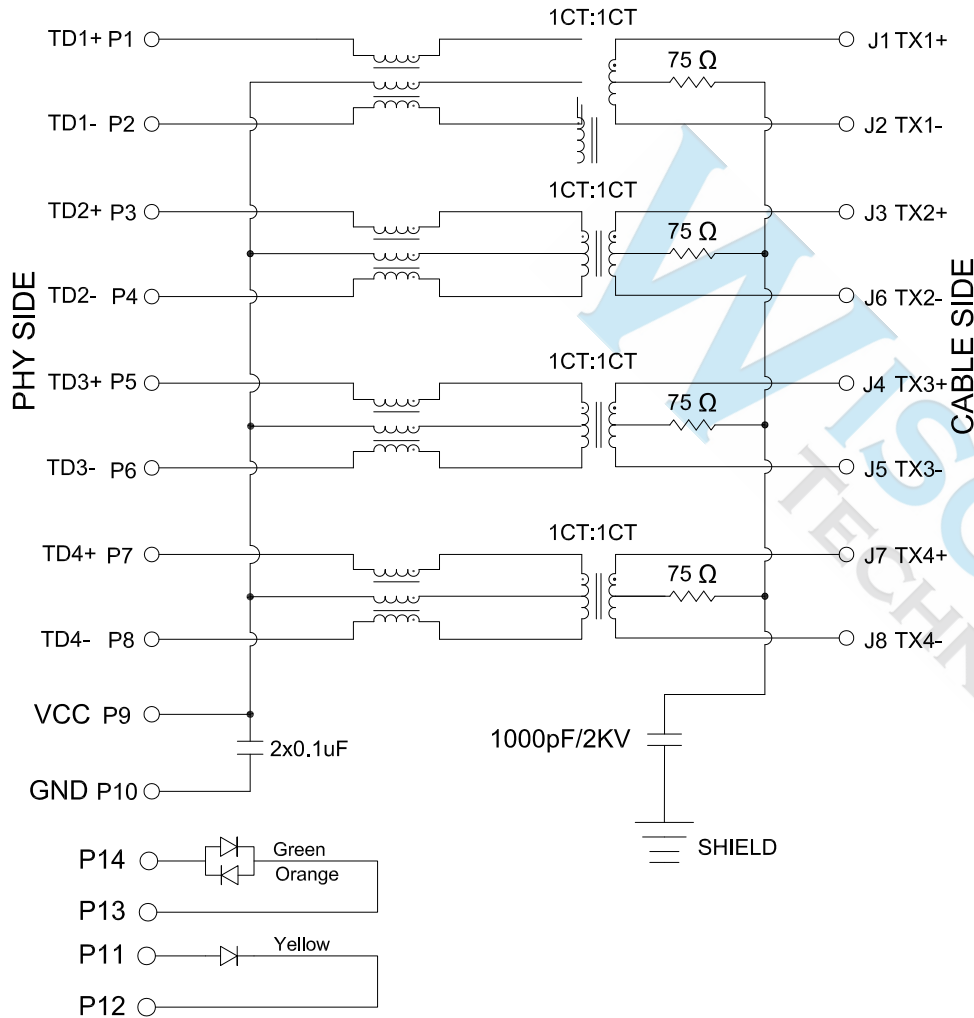




# Schematic



PARAMETER	SPECIFICATIONS
OPERATING TEMPERATURE	-40°C To +85°C
TURNS RATIO	1:1±2%
OPEN CIRCUIT INDUCTANCE(OCL)	180uH MIN@100KHz/100mV With 8mA DC Bias For(CHANNEL1,2,3,4)
INSERTION LOSS(IL)	-1.0dB MAX@1MHz-50MHz; -1.0dB MAX@50MHz-125MHz;
RETURN LOSS(RL) (Z out=100 OHM)	-20dB MIN@1MHz-40MHz; -20+15LOG (f/40MHz)dB MIN@40MHz-250MHz;
CROSSTALK (ADJACENT CHANNELS)	-35dB MIN@1MHz-40MHz; -35+15LOG (f/40MHz)dB MIN@40MHz-125MHz;
COMMON MODE REJECTION RATIO(CMRR)	-30dB MIN@1MHz-250MHz;
COMMON TO DIFFERENTIAL MODE REJECTION(REF)	-35dB MIN@1MHz-125MHz;
DIFFERENTIAL TO COMMON MODE REJECTION(REF)	-40dB MIN@1MHz-10MHz;    -28dB MIN@40MHz-100MHz; -23dB MIN@250MHz;
HI-POT	2250 VDC@60 SECONDS

LED SPECIFICATION			
STANDARD LED	WAVELENGTH	Farward V(max)	TYP
GREEN/ORANGE	570/605nm	2.6V/2.6V	2.1/2.2V
YELLOW	590nm	2.6V	2.2V

\*WITH A FORWARD CURRENT OF 20mA

DIMENSIONS TOLERANCE METRIC Up to 5 ±0.2 Above 5~15 ±0.3 Above 15~30 ±0.4 Above 30~50 ±0.5 Angle ±0.3°	UNITS	MM	FINISH	SEE NOTE	CH'K	Calvin	DRAW NAME		<b>WISCONN Technology Co., Ltd</b> Tel:+886-2-2790-1979 Fax:+886-2-2790-1569						
	QTY	N/A	DRAW	Johnson	APP'D	Selena	RJ45 2X1 2.5G EMI 90D LED(GO-Y) L28.4MM								
	MT'L	SEE NOTE	DE'N	Mike	DATE	May . 31 . 2022	PART NUMBER	WRJ-DKN1T826W-D4Y							
							DRAW NUMBER	C011	SCALE	1/1	SIZE	A4	SHEET	2	REV.
							FILE NAME .DWG								