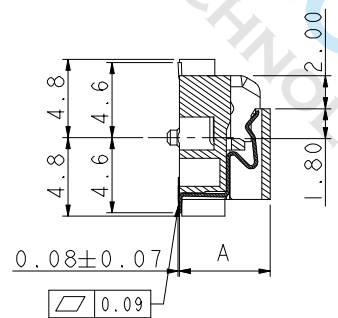
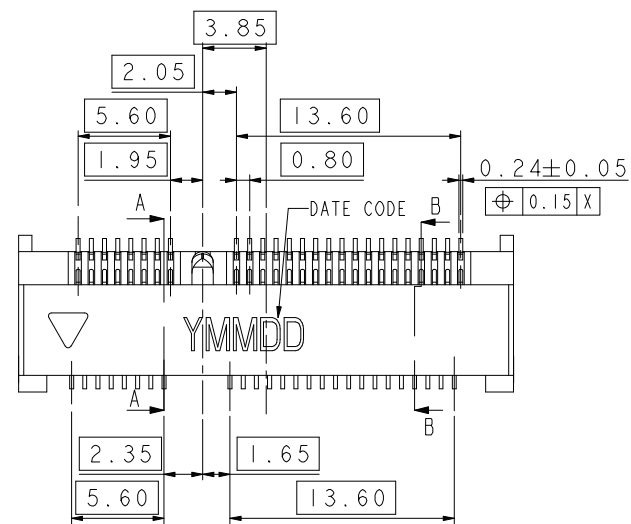
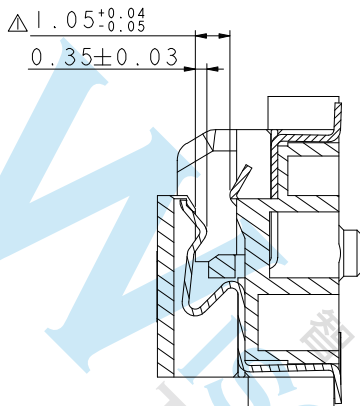
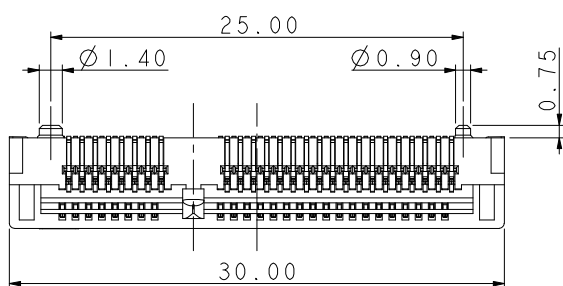
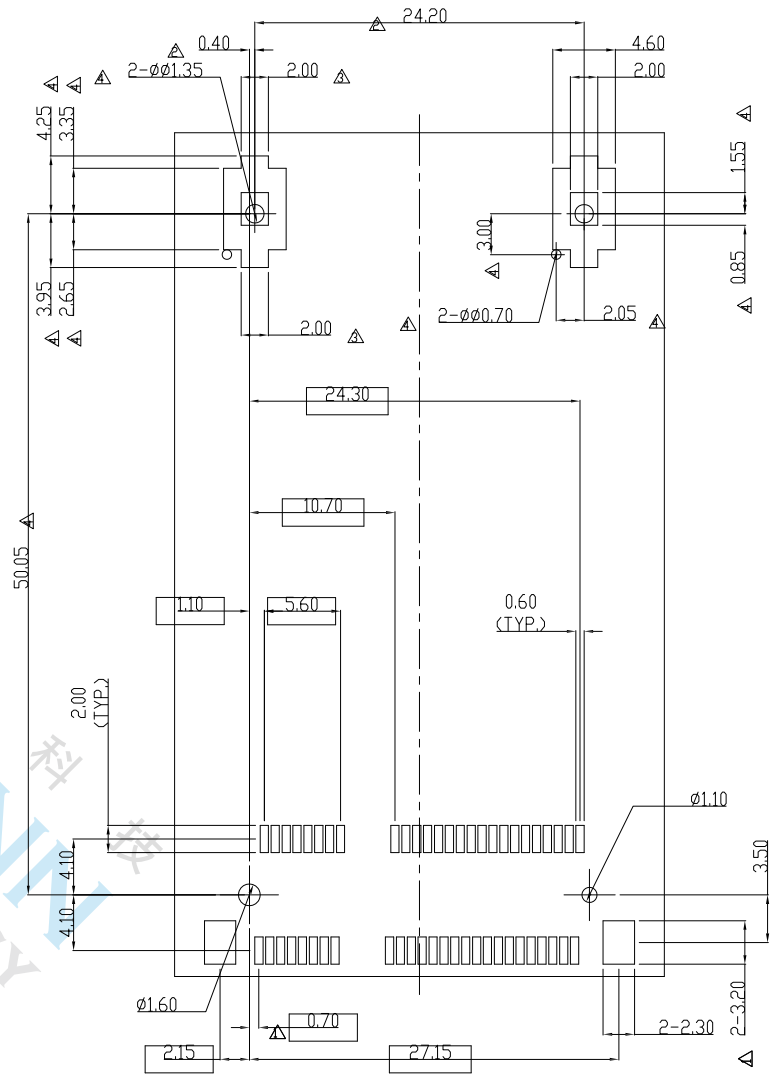


P/N	A
WMPE-52FLBSR-xx(5.2H)	5.2
WMPE-52FLBSR-xx(5.6H)	5.6
WMPE-52FLBSR-xx(8.0H)	8.0
WMPE-52FLBSR-xx(9.2H)	9.2
WMPE-52FLBSR-xx(9.6H)	9.6



SECTION A-A



RECOMMEND PC BOARD LAYOUT
GENERAL TOLERANCE: ±0.05mm

DIMENSIONS TOLERANCE	
METRIC	
Up to 5	±0.2
Above 5~15	±0.3
Above 15~30	±0.4
Above 30~50	±0.5
Angle	±0.3°

單位(UNITS)	MM	處理(FINISH)	SEE NOTE	審核(CH'K)	Calvin	圖名(NAME)
數量(QT'Y)	N/A	繪圖(DRAW)	Johnson	核准(APP'D)	Selena	MINI PCI EXPRESS 0.8Pitch Series
材料(MT'L)	SEE NOTE	設計(DE'N)	Mike	日期 DATE)	JUL.15.2016	料號(PART NUMBER) WMPE-52FLBSR-xx
						圖號(DRAW NUMBER) T014
						圖檔(FILE NAME .DWG)

WISCONN Technology Co., Ltd							
Tel:02-2790-1979 Fax:02-2790-1569							
比例(SCALE)	1/1	圖紙(SIZE)	A4	頁次(SHEET)	1	版次(REV.)	A