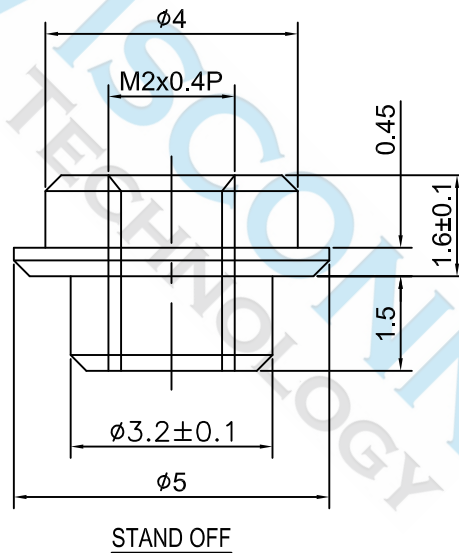
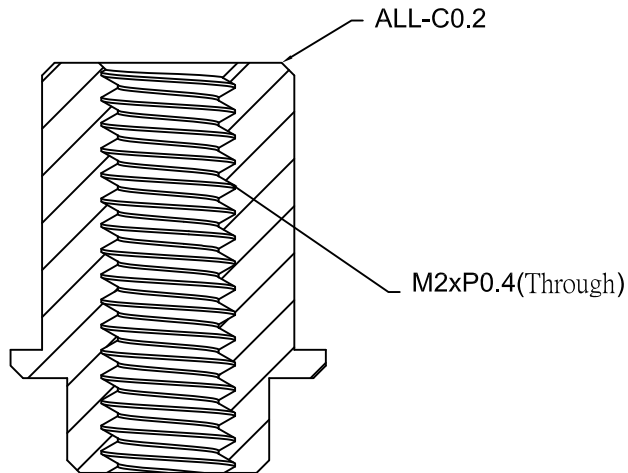
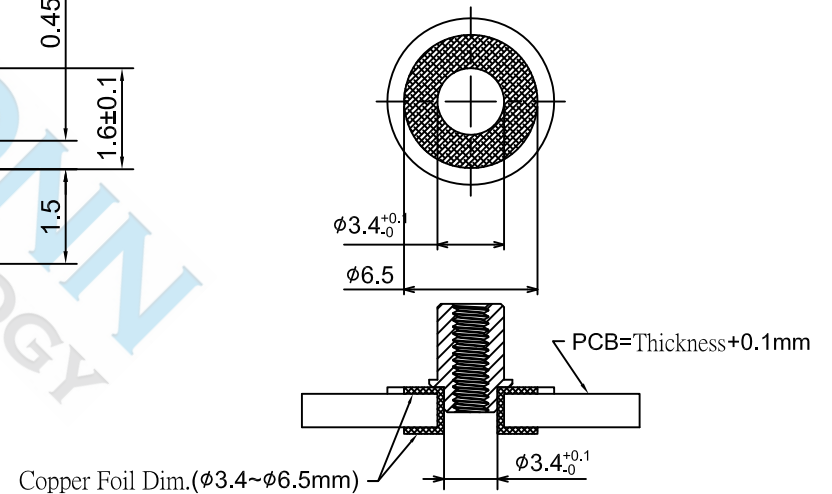


- Note :
- Material :  
Boss : C6801  
Mylar : Polyimide Film
  - Plating :
  - Burr : 0.05mm Max.
  - Tolerance :  $\pm 0.1\text{mm} / \pm 2^\circ$



### PCB Recommend Layout Pattern



DIMENSIONS TOLERANCE METRIC	UNITS	MM	FINISH	SEE NOTE	CH'K	Calvin	DRAW NAME		<b>WISCONN Technology Co., Ltd</b> Tel:+886-2-2790-1979 Fax:+886-2-2790-1569							
Up to 5 ±0.2							MINI PCI-E 銅柱 4.0H									
Above 5~15 ±0.3	QTY	N/A	DRAW	Johnson	APP'D	Selena	PART NUMBER	WMPE-STAND OFF-40								
Above 15~30 ±0.4							DRAW NUMBER	T057								
Above 30~50 ±0.5	MT'L	SEE NOTE	DE'N	Mike	DATE	January . 21 . 2020	FILE NAME .DWG									
Angle ±0.3°									SCALE	1/1	SIZE	A4	SHEET	1	REV.	A