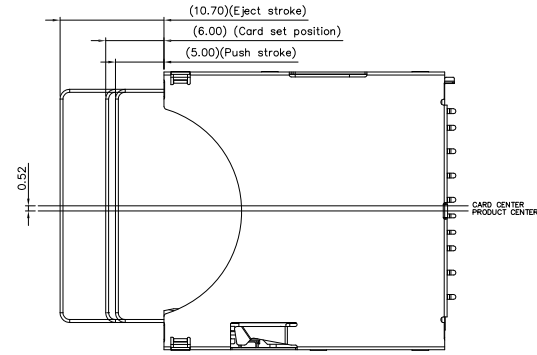
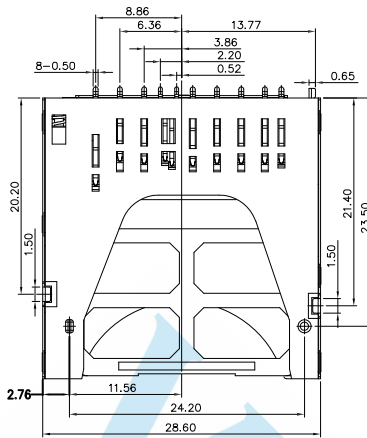
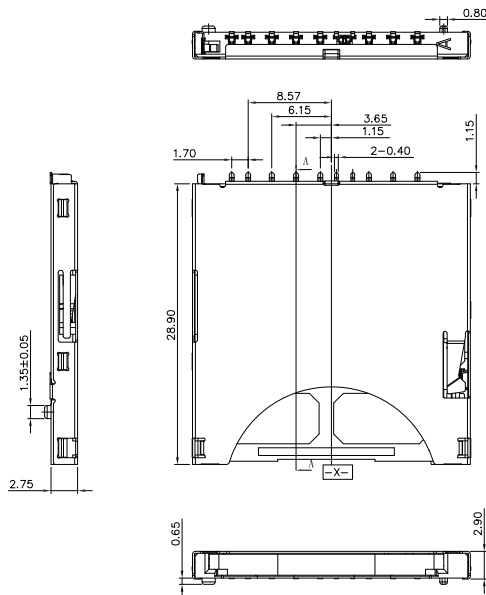
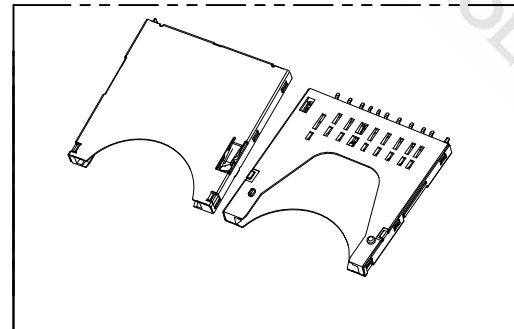
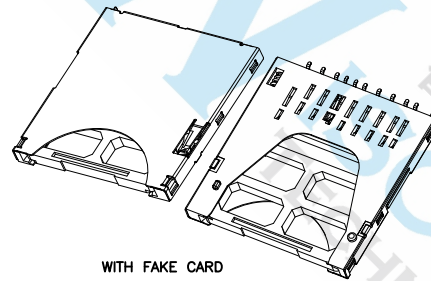


RECOMMENDED PCB LAYOUT  
(ALL TOLERANCE ARE ±0.05)



SECTION A-A

REV.	DESCRIPTION	DATE
G	ADD WITHOUT FAKE CARD VIEW	2016.11.30
F	ADD DIMENSION	2016.06.21
E	ADD FAKE CARD PORT NO OPTION	2016.06.16
D	UPDATE PCB LAYOUT DIMENSION	2015.12.16
C	UPDATE PCB LAYOUT	2015.12.14
B	UPDATE PCB LAYOUT	2015.10.19
A	RELEASE	2012.11.19



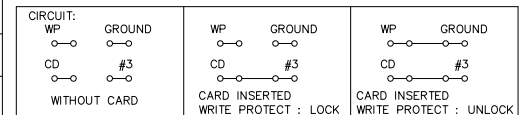
Pin No.	SD	MMC
P1	MMC-DAT3 SD-CD/DAT3	1P 1P
P2	MMC-CMD SD-CMD	2P 2P
P3	MMC-VSS1 SD-VSS1	3P 3P
P4	MMC-VDD SD-VDD	4P 4P
P5	MMC-CLK SD-CLK	5P 5P
P6	MMC-VSS2 SD-VSS2	6P 6P
P7	MMC-DAT0 SD-DAT0	7P 7P
P8	SD-DAT1	8P
P9	SD-DAT2	9P

**MATERIALS**

INSULATOR: LCP RATED COLOR:BLACK (UL 94V-0)  
CONTACTS: PHOSPHOR BRONZE,  
TIN 160u" AT SOLDER TAIL  
SELECTIVE GOLD ON CONTACT AREA PLATING  
GROUND:PHOSPHOR BRONZE, TIN 160u"  
SHELL: STAINLESS PICKLING

**SPECIFICATION**

CURRENT RATING: 0.5 AMP MAX  
DIELECTRIC WITHSTANDING: 500V AC FOR ONE MINUTE  
CONTACT RESISTANCE: 100m OHMS MAX  
INSULATION RESISTANCE: 1000M OHMS MIN AT DC 500V  
OPERATION TEMPERATURE: -25°C~+85°C



DIMENSIONS TOLERANCE METRIC	單位(UNITS)	MM	處理(FINISH)	SEE NOTE	審核(CH'K)	Calvin	圖名(NAME)
Up to 5 ±0.2	數量(QT'Y)	N/A	繪圖(DRAW)	Johnson	核准(APP'D)	Selena	SD CARD, PUSH-PUSH TYPE, FEMALE 28.8mm
Above 5~15 ±0.3	材料(MT'L)	SEE NOTE	設計(DE'N)	Mike	日期(DATE)	SEP.14.2017	料號(PART NUMBER) WSDC-9-xxRPS-S16
Above 15~30 ±0.4							圖號(DRAW NUMBER) T004
Above 30~50 ±0.5							圖檔(FILE NAME .DWG)
Angle ±0.3°							

**WISCONN Technology Co., Ltd**  
Tel:02-2790-1979 Fax:02-2790-1569

比例(SCALE)	1/1	圖紙(SIZE)	A4	頁次(SHEET)	1	版次(REV.)	A
-----------	-----	----------	----	-----------	---	----------	---