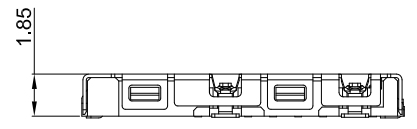
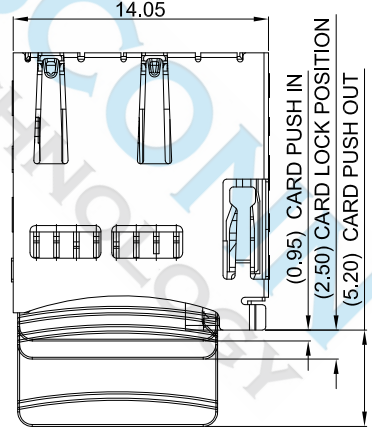


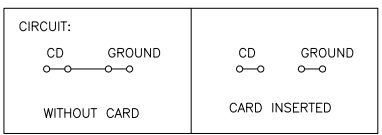
PCB LAYOYT



Pin No.	MICRO SD
PIN1	DAT2 1P
PIN2	CD/DAT3 2P
PIN3	CMD 3P
PIN4	VDD 4P
PIN5	CLK 5P
PIN6	VSS 6P
PIN7	DAT0 7P
PIN8	DAT1 8P
PIN9 PIN10	CARD DETECT



SCALE 8:1



SPECIFICATION:

- 1.RATING : 0.5 A
- 2.DIELECTRIC WITHSTANDING VOLTAGE : 500V AC FOR 1 MINUTE.
- 3.INSULATION RESISTANCE : 1000MΩ MIN.
- 4.CONTACT RESISTANCE : 100mΩ MAX
- 5.OPERATING TEMPERATURE : -25°C TO +85°C.

Material:

- 1.Housing: LCP
- 2.Contact: Phosphor Bronze
- 3.Shell: Stainless Steel

Finish:

- 1.Contact: Plated Gold in Mating Area ;
Tin Plated on Solder Balls ;
Nickel under plated overall
- 2.Shell: Nickel under Plated surface layer

DIMENSIONS TOLERANCE	UNITS	MM	FINISH	SEE NOTE	CH'K	Calvin
Up to 5	±0.2					
Above 5~15	±0.3					
Above 15~30	±0.4					
Above 30~50	±0.5					
Angle	±0.3°					

UNITS	MM	FINISH	SEE NOTE	CH'K	Calvin
QTY	N/A	DRAW	Johnson	APP'D	Selena
MT'L	SEE NOTE	DE'N	Mike	DATE	March . 13 . 2019

DRAW NAME	
MICRO SD FEMALE PUSH PUSH TYPE	
PART NUMBER	WMSD-8-FRPS-S1-2
DRAW NUMBER	T002
FILE NAME . DWG	

WISCONN Technology Co., Ltd
 Tel:+886-2-2790-1979 Fax:+886-2-2790-1569

SCALE	1/1	SIZE	A4	SHEET	1	REV.	A
-------	-----	------	----	-------	---	------	---