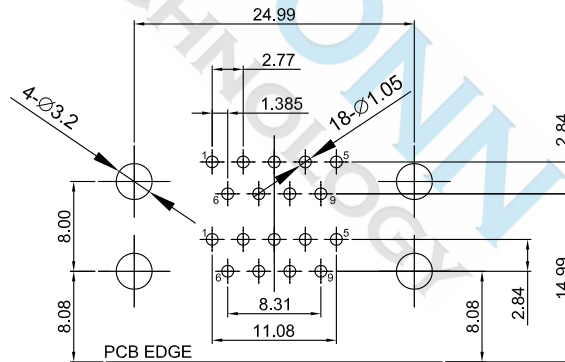
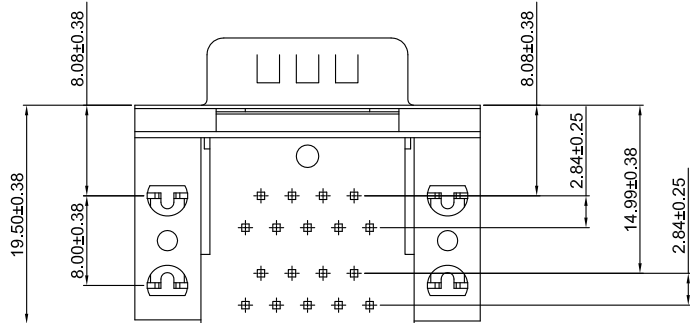
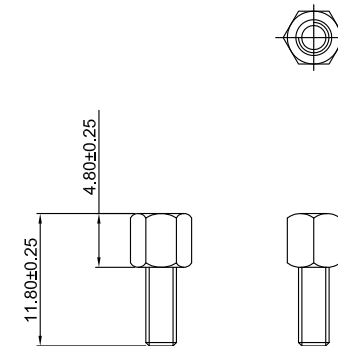


- MATERIALS:**
1. Housing: PBT (UL 94V-0), Green
  2. Connecting Seat: PA66 (UL 94V-0), Black
  3. Contacts: Brass
  4. Shell: SPCC
  5. Rivet: Copper Alloy(Lead  $\leq$  40000PPM)
  6. Board Lock: SPCC
  7. L Bracket: SPCC
  8. Screw: Copper Alloy(Lead  $\leq$  40000PPM)

- FINISH:**
1. Contacts: Gold Flash Plated on Contact Area  
Sn Plated on Solderails  
Nickel Under Plated Over All
  2. Shell: Nickel Plated
  3. Rivet: Nickel Plated
  4. Board Lock: Sn Plated
  5. L Bracket: Nickel Plated
  6. Screw: Nickel Plated



P.C.B. LAYOUT



DIMENSIONS TOLERANCE

METRIC	UNITS	MM	FINISH	SEE NOTE	CH'K	Calvin	DRAW NAME
Up to 5	±0.2						DB 9M+9M 90D GREEN WITH 4.8 SCREW
Above 5~15	±0.3						PART NUMBER
Above 15~30	±0.4						WDBM-18-NFGR11
Above 30~50	±0.5						DRAW NUMBER
Angle	±0.3°						T039
							FILE NAME .DWG

UNITS

QTY

MT'L

MM

N/A

SEE NOTE

FINISH

DRAW

DE'N

SEE NOTE

Johnson

Mike

CH'K

APP'D

DATE

Calvin

Selena

June .01 .2021

DRAW NAME

DB 9M+9M 90D GREEN WITH 4.8 SCREW

PART NUMBER

WDBM-18-NFGR11

DRAW NUMBER

T039

FILE NAME .DWG

**WISCONN Technology Co., Ltd**

Tel: +886-2-2790-1979 Fax: +886-2-2790-1569

SCALE

1/1

SIZE

A4

SHEET

1

REV.

A