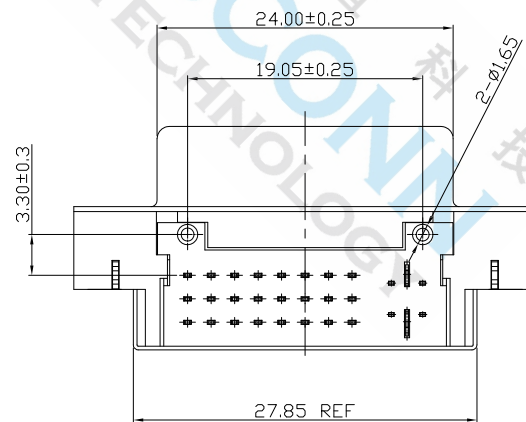


PCB LAYOUT



MATERIALS:

1. Housing: PBT (UL 94V-0), Ivory White
2. Cover: PA66 (UL 94V-0), Ivory White
3. Contacts: Brass
4. Shell: SPCC
5. Rivet: Copper Alloy(Lead ≤ 40000PPM)
6. Board Lock: SPCC
7. Screw: SPCC(Lead ≤ 40000PPM)
8. Shield: SPCC

FINISH:

1. Contacts: Gold Flash Plated on Contact Area  
Sn Plated on Solderails  
Nickel Under Plated Over All
2. Shell: Nickel Plated Or Nickel Welding Plated
3. Rivet: Nickel Plated
4. Board Lock: Sn Plated Over Nickel
5. Screw: Nickel Plated
6. Shield: Nickel Welding Plated

DIMENSIONS TOLERANCE	單位(UNITS)	MM	處理(FINISH)	SEE NOTE	審核(CH'K)	Calvin
Up to 5	±0.2					
Above 5~15	±0.3					
Above 15~30	±0.4					
Above 30~50	±0.5					
Angle	±0.3°					

數量(QT'Y)	MM	處理(FINISH)	SEE NOTE	審核(CH'K)	Calvin	圖名(NAME)
	N/A	繪圖(DRAW)	Johnson	核准(APP'D)	Selena	DVI 29P 90度DIP COVER無定位柱
材料(MT'L)	SEE NOTE	設計(DE'N)	Mike	日期(DATE)	APR.11.2017	料號(PART NUMBER) WDVI-29-FxR1x-CN
						圖號(DRAW NUMBER) T039
						圖檔(FILE NAME .DWG)

**WISCONN Technology Co., Ltd**  
Tel:02-2790-1979 Fax:02-2790-1569

比例(SCALE)	1/1	圖紙(SIZE)	A4	頁次(SHEET)	1	版次(REV.)	A
-----------	-----	----------	----	-----------	---	----------	---