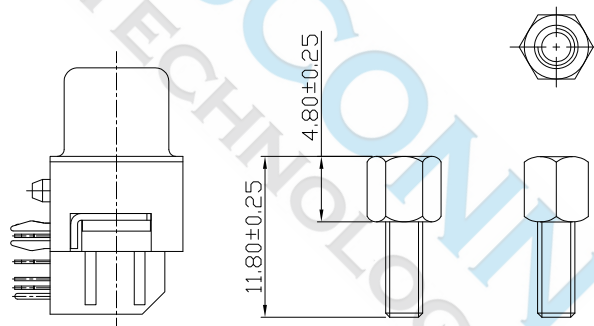
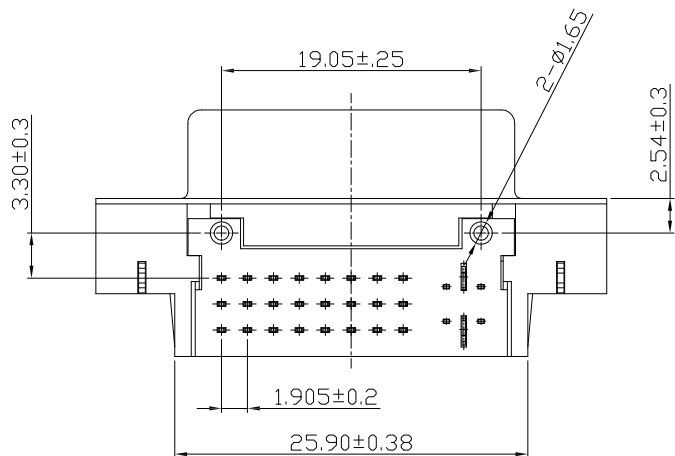


RECOMMENDED PCB LAYOUT



鉚合附螺絲

MATERIALS:

1. Housing: PBT (UL 94V-0), White
2. Cover: PA66 (UL 94V-0), White
3. Contacts: Brass
4. Shell: SPCC
5. Rivet: Copper Alloy(Lead ≤ 40000PPM)
6. Board Lock: SPCC
7. Screw: SPCC Or Copper Alloy(Lead ≤ 40000PPM)

FINISH:

1. Contacts: Gold Flash Plated on Contact Area  
Sn Plated on Solderails  
Nickel Under Plated Over All
2. Shell: Nickel Plated
3. Rivet: Nickel Plated
4. Board Lock: Sn Plated Over Nickel
5. Screw: Nickel Plated

DIMENSIONS TOLERANCE METRIC	UNITS	MM	FINISH	SEE NOTE	CH'K	Calvin	DRAW NAME		WISCONN Technology Co., Ltd Tel:+886-2-2790-1979 Fax:+886-2-2790-1569						
	Up to 5 ±0.2	QTY	N/A	DRAW	Johnson		APP'D	Selena							
Above 5~15 ±0.3							PART NUMBER	WDVIF-29xFPWDR							
Above 15~30 ±0.4							DRAW NUMBER	T039							
Above 30~50 ±0.5							FILE NAME .DWG								
Angle ±0.3°	MT'L	SEE NOTE	DE'N	Mike	DATE	November.07.2019	SCALE	1/1	SIZE	A4	SHEET	1	REV.	A	