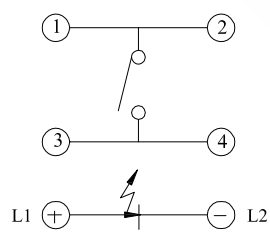
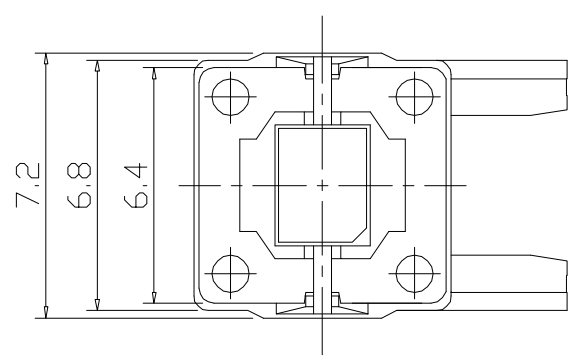


P.C.B LAYOUT

COLOR OF LED

0	Without	1	Red
2	Green	3	Orange
4	Yellow	7	Blue
8	White		



CIRCUIT DIAGRAM

5	COVER	1	PBT	Natural
4	CONTACT	1	PHOSPHOR BRONZE	Ag plated
3	TERMINAL	1	BRASS	Ag plated
2	CASE	1	Nylon+FG	Black
1	KNOB	1	Nylon+FG	White
NO.	DESCRIPTION	QTY	MATERIAL	PLATING

DIMENSIONS TOLERANCE	
METRIC	
Up to 5	±0.2
Above 5~15	±0.3
Above 15~30	±0.4
Above 30~50	±0.5
Angle	±0.3°

單位(UNITS)	MM	處理(FINISH)	SEE NOTE	審校(CH'K)	Calvin
數量(QTY)	N/A	繪圖(DRAW)	Johnson	核准(APP'D)	Selena
材料(MT'L)	SEE NOTE	設計(DE'N)	Mike	日期 DATE)	APR.01.2016

圖名(NAME)		TACT SWITCH
料號(PART NUMBER)	WTS-xx-C0-E0-RL3	
圖號(DRAW NUMBER)	T002	
圖檔(FILE NAME .DWG)		

WISCONN Technology Co., Ltd
 Tel:02-2790-1979 Fax:02-2790-1569

比例(SCALE)	1/1	圖紙(SIZE)	A4	頁次(SHEET)	1	版次(REV.)	A
-----------	-----	----------	----	-----------	---	----------	---