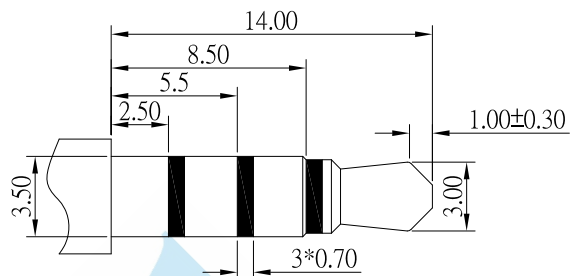
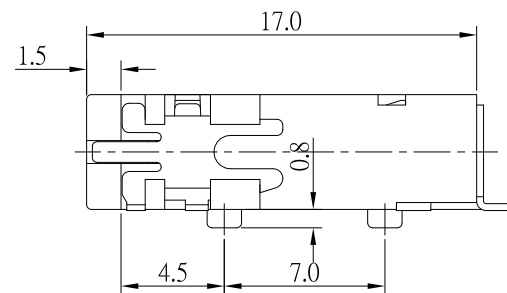
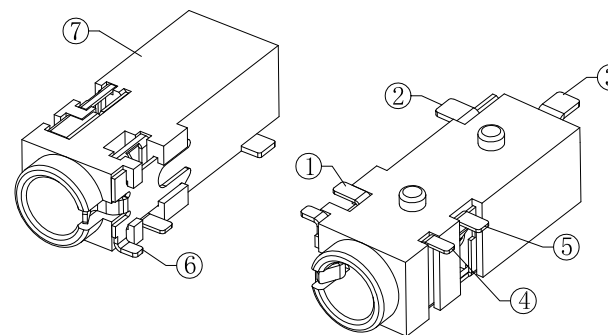
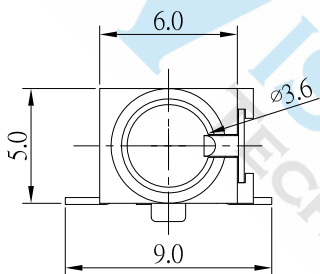


**P.C.B LAYOUT  
(TOP VIEW)**



**φ3.50mm 4 POLE PLUG**



**SCHEMATIC**

WPI-3756	WPI-3755	WPI-3755A	WPI-3754	WPI-3755B	WPI-3753

**SPECIFICATION**

- 1.Rating : DC 30V 1.0A ;
- 2.Contact resistance : ≤30mΩ ;
- 3.Insulation resistance : ≥100MΩ ;
- 4.Withstand voltage : 500VAC ;
- 5.Insertion and extraction force : 3-20N;
- 6.life test : 5,000 cycles °

NO.	DESCRIPTION	QTY	MATERIAL	PLATING
7	HOUSING	1	PA9T	
6	6# CONTACT FOOT	1	PHOSPHOR BRONZE	Ag-Plating
5	5# CONTACT FOOT	1	Be-Cu	Ag-Plating
4	4# CONTACT FOOT	1	PHOSPHOR BRONZE	Ag-Plating
3	3# CONTACT FOOT	1	BRASS	Ag-Plating
2	2# CONTACT FOOT	1	PHOSPHOR BRONZE	Ag-Plating
1	1# CONTACT FOOT	1	Be-Cu	Ag-Plating

DIMENSIONS TOLERANCE METRIC	單位(UNITS)	MM	處理(FINISH)	SEE NOTE	審核(CH'K)	Calvin	圖名(NAME)	料號(PART NUMBER)	圖號(DRAW NUMBER)	圖檔(FILE NAME .DWG)	比例 (SCALE)	1/1	圖紙 (SIZE)	A4	頁次 (SHEET)	1	版次 (REV.)	A
	Up to 5	數量(QT'Y)	N/A	繪圖(DRAW)	Johnson	核准(APP'D)												
±0.2							PHONE JACK	WPI-375x	T002									
±0.3																		
±0.5	材料(MT'L)	SEE NOTE	設計(DE'N)	Mike	日期 DATE)	AUG.25.2017												

**WISCONN Technology Co., Ltd**  
Tel:02-2790-1979 Fax:02-2790-1569