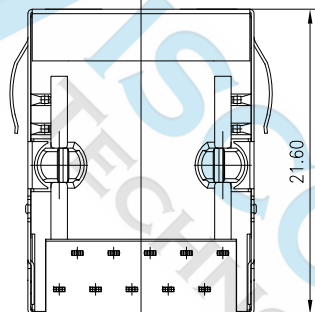


P.C.B RECOMMENDED HOLE LAYOUT SEEN FROM COMPONENT SIDE.
ALL CENTERLINE DIMENSIONS ARE BASIC



LED Specification

Standard LED Color	LED Wavelength	Forward (V MAX)	Typical (V TYP)	Luminous Intensity
Green	560-580 nm	2.5V	2.1-2.2V	9-25 MCD
Yellow	580-610 nm	2.5V	2.1-2.2V	9-30 MCD
Orange	580-610 nm	2.5V	2.1-2.2V	50-100 MCD

- LED intensity/wavelength measured with Photo Research PR-650 Colormeter
- With a forward current of 20 mA, Absolute Maximum Ratings (Ta=25°C)

- 4.1. Connector Material:**
 Housing: Thermoplastic UL94 V-0
 Contact/Shield: Cooper alloy
 Shield Plating: Nickel
 Contact Plating: Selective gold 6u"; 15u"; 30u"; 50u" Min
- 4.2. Tolerances comply with F.C.C dimension requirements
- 4.3. Durability: 800 mating Min
- 4.4. Meets or Exceeds IEEE802.3af standards including 350uH Min OCL @100KHz 100mV 8mA DC

DIMENSIONS TOLERANCE	UNITS	MM	FINISH	SEE NOTE	CH'K	Calvin	DRAW NAME
METRIC							
Up to 5	±0.2						RJ45 1x1Port Jack With 100/1000 Base-T
Above 5~15	±0.3						W/EMI LED:Y/G Tab Up L:21.60 3.05mm
Above 15~30	±0.4						PART NUMBER
Above 30~50	±0.5						WRJ-1112C50103-2
Angle	±0.3°						DRAW NUMBER
							C006
							FILE NAME .DWG

UNITS	MM	FINISH	SEE NOTE	CH'K	Calvin	DRAW NAME
QT'Y	N/A	DRAW	Johnson	APP'D	Selena	WRJ-1112C50103-2
MT'L	SEE NOTE	DE'N	Mike	DATE	JAN.09.2017	C006

WISCONN Technology Co., Ltd
Tel: +886-2-2790-1979 Fax: +886-2-2790-1569

SCALE	1/1	SIZE	A4	SHEET	1	REV.	A
-------	-----	------	----	-------	---	------	---