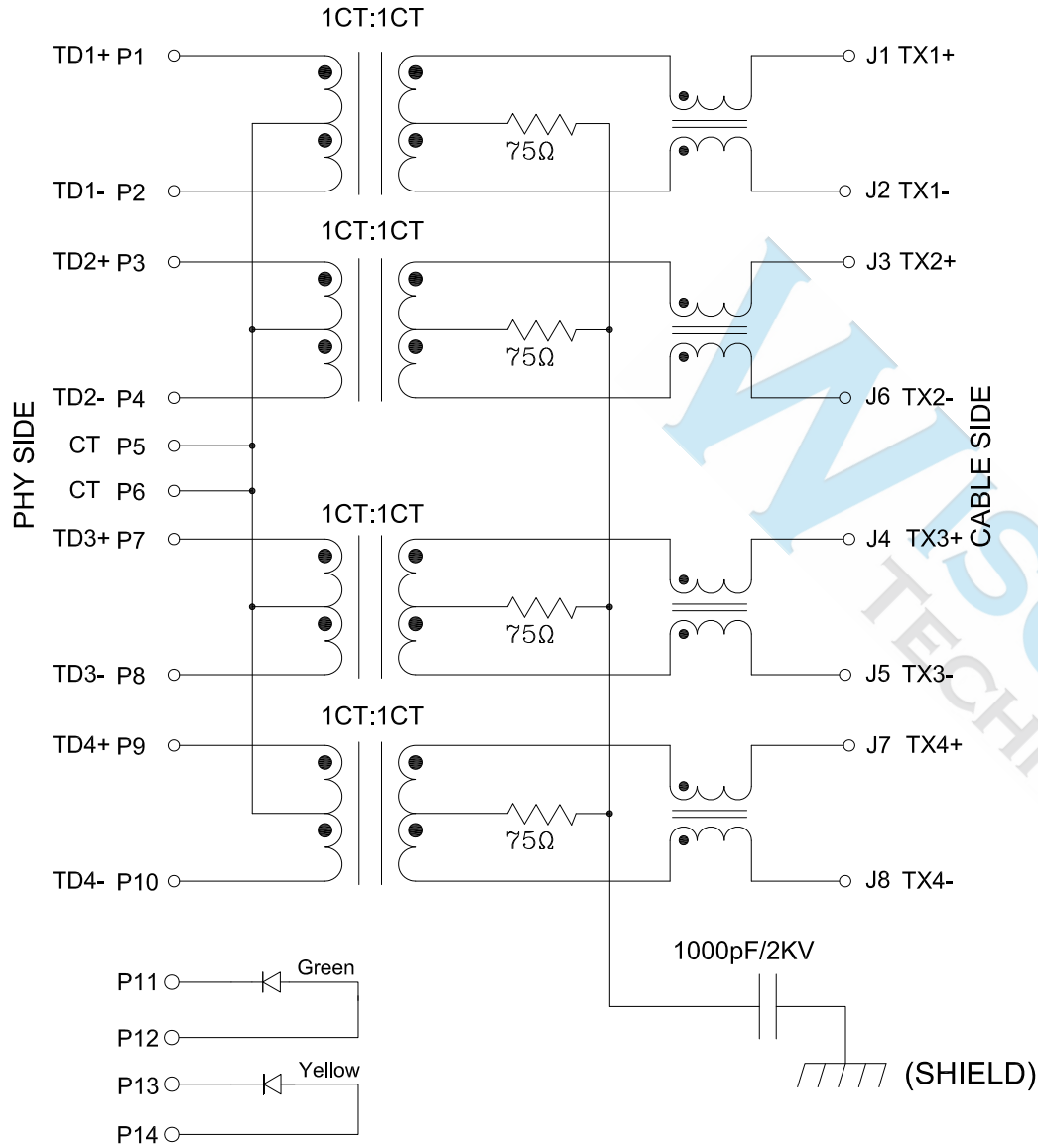




# Schematic



PARAMETER	SPECIFICATIONS
OPERATING TEMPERATURE	0°C To +70°C
URNS RATIO	1:1±2%
INDUCTANCE(OCL)	350uH MIN@100KHz/100mV With 8mA DC Bias
INSERTION LOSS	-1.0dB MAX@0.3MHz-100MHz;
RETURN LOSS (Z out=100 OHM)	-18dB MIN@1MHz-30MHz; -13dB MIN@30MHz-60MHz; -10dB MIN@60MHz-100MHz;
CROSSTALK (ADJACENT CHANNELS)	-30dB MIN@1MHz-100MHz;
COMMON MODE REJECTION RATIO	-30dB MIN@1MHz-100MHz;
HI-POT	2250 VDC@60 SECONDS

LED SPECIFICATION			
STANDARD LED	WAVELENGTH	Farward V(max)	TYP
GREEN	565nm	2.4V	2.2V
YELLOW	590nm	2.5V	2.1V

\*WITH A FORWARD CURRENT OF 20mA

DIMENSIONS TOLERANCE METRIC	UNITS	MM	FINISH	SEE NOTE	CH'K	Calvin
Up to 5 ±0.2						
Above 5~15 ±0.3	QTY	N/A	DRAW	Johnson	APP'D	Selena
Above 15~30 ±0.4						
Above 30~50 ±0.5	MT'L	SEE NOTE	DE'N	Mike	DATE	July . 10 . 2019
Angle ±0.3°						

DRAW NAME RJ45 1x1 With 100/1000 Base-T Tab Down 左綠右黃 負正負	
PART NUMBER	WRJ-1112F1010
DRAW NUMBER	C011
FILE NAME .DWG	

**WISCONN Technology Co., Ltd**  
Tel:+886-2-2790-1979 Fax:+886-2-2790-1569

SCALE	1/1	SIZE	A4	SHEET	2	REV.	A
-------	-----	------	----	-------	---	------	---