

PCB LAYOUT

SPECIFICATIONS

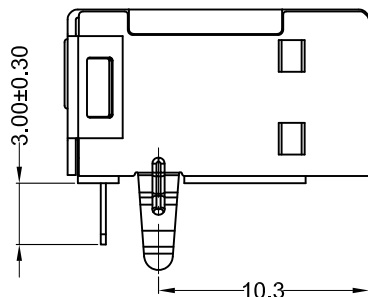
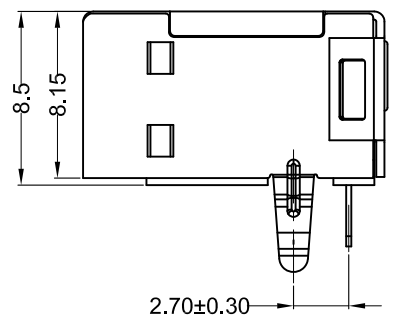
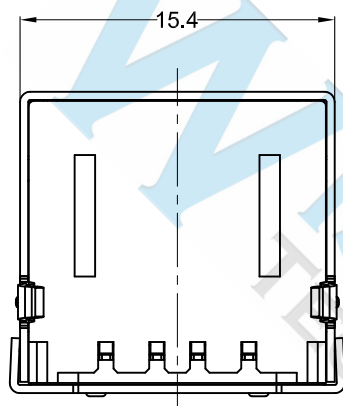
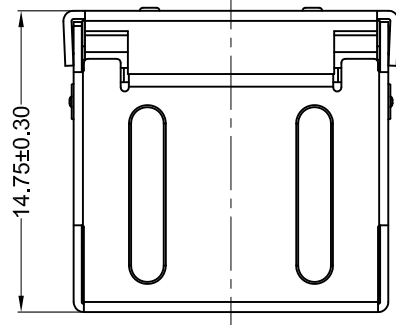
Electrical:

- 1. Rating: 30C DC , 1.0 A
- 2. Contact Resistance: 30 mΩ Max
- 3. Insulation Resistance: 1,000 MΩ Min
- 4. Dielectric Withstanding Voltage: 500V AC
- 5. Insertion Force: 35N
- 6. Extraction Force: 10N

Material:

- 1. Housing: PBT
 - 2. Contact: Phosphor Bronze
 - 3. Shell: Brass / Spcc
- Finish:**
- 1. Contact: Plated Gold in Mating Area ;
Tin Plated on Solder Balls
Nickel under plated overall
 - 2. Shell: Nickel under Plated surface layer

Contact Number	Signal Name
1	VBUS
2	D-
3	D+
4	GND
Shell	Shield



DIMENSIONS TOLERANCE METRIC	UNITS	MM	FINISH	SEE NOTE	CH'K	Calvin
	Up to 5	±0.2				
Above 5~15	±0.3					
Above 15~30	±0.4					
Above 30~50	±0.5					
Angle	±0.3°					
	QTY	N/A	DRAW	Johnson	APP'D	Selena
	MT'L	SEE NOTE	DE'N	Mike	DATE	June . 22 . 2020

DRAW NAME	
USB2.0全包式 AF 正向 DIP H:8.5mm	
PART NUMBER	WU2AF-4-xxxAxR1-S17
DRAW NUMBER	T002
FILE NAME	.DWG

WISCONN Technology Co., Ltd
 Tel: +886-2-2790-1979 Fax: +886-2-2790-1569

SCALE	1/1	SIZE	A4	SHEET	1	REV.	A
-------	-----	------	----	-------	---	------	---