

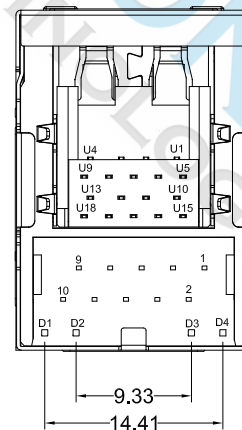
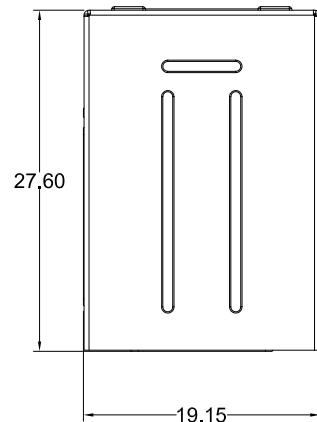
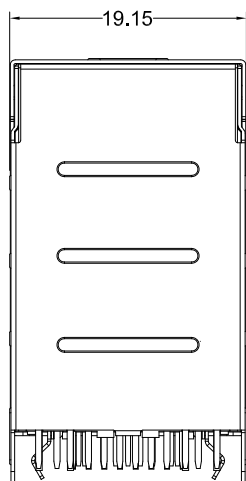
RECOMMENDED P.C.B. PATTERN LAYOUT
TOP VIEW

- 1.Connector Material:
Housing:Thermoplastic UL94 V-0
Contact/Shield:Cooper alloy
Shield Plating:Nickel
Contact Plating:Selective gold 6u"; 15u"; 30u"; 50u"Min
- 2.Tolerances comply with F.C.C dimension requirements
- 3.Durability:800 mating Min
- 4.Meets or Exceeds IEEE802.3af standards including 350uH Min OCL @100KHz 100mV 8mA DC

LED Specification

Standard LED Color	LED Wavelength	Forward (V MAX)	Typical (V TYP)	Luminous Intensity
Green	560-580 nm	2.5V	2.1-2.2V	9-25 MCD
Yellow	580-610 nm	2.5V	2.1-2.2V	9-30 MCD
Orange	580-610 nm	2.5V	2.1-2.2V	50-100 MCD

1. LED intensity/wavelength measured with Photo Research PR-650 Colormeter
2. With a forward current of 20 mA, Absolute Maximum Ratings (Ta=25°C)



DIMENSIONS TOLERANCE METRIC	UNITS	MM	FINISH	SEE NOTE	CH'K	Calvin
Up to 5	±0.2					
Above 5~15	±0.3					
Above 15~30	±0.4					
Above 30~50	±0.5					
Angle	±0.3°					

UNITS	MM	FINISH	SEE NOTE	CH'K	Calvin
QTY	N/A	DRAW	Johnson	APP'D	Selena
MT'L	SEE NOTE	DE'N	Mike	DATE	March . 18 . 2019

DRAW NAME	PART NUMBER	DRAW NUMBER	FILE NAME .DWG
RJ45+USB3.0*2 With 100/1000 Tab Up 左黃右綠 L:27.5mm	WRJ-1108F7027-2	C006	

WISCONN Technology Co., Ltd							
Tel:+886-2-2790-1979 Fax:+886-2-2790-1569							
SCALE	1/1	SIZE	A4	SHEET	1	REV.	A

