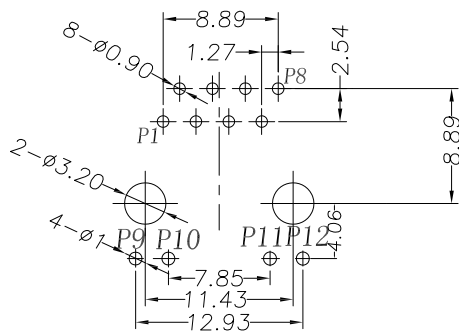
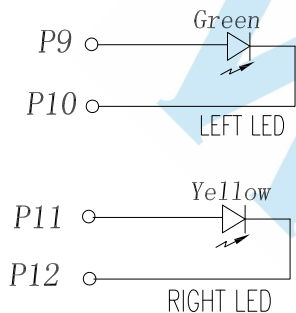
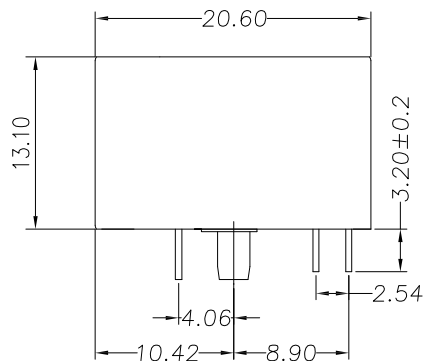
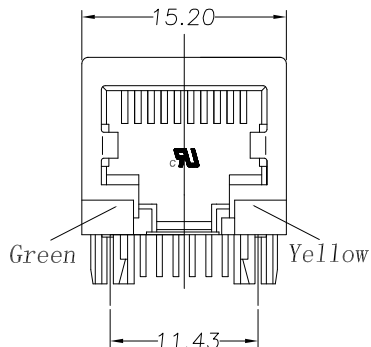


SUGGESTED PANEL CUTOUT DIM



PC Board Layout



LED Specification

Standard LED Color	LED Wavelength	Forward (V MAX)	Typical (V TYP)	Luminous Intensity
Green	560-580 nm	2.5V	2.1-2.2V	9-25 MCD
Yellow	580-610 nm	2.5V	2.1-2.2V	9-30 MCD

- LED intensity/wavelength measured with Photo Research PR-650 Colormeter
- With a forward current of 20 mA, Absolute Maximum Ratings (Ta=25°C)

NOTES:

ELECTRICAL:

- VOLTAGE RATING : 125 VAC RMS.
- CURRENT RATING : 1.5 AMP.
- CONTACT RESISTANCE : 30 MILLIOHMSMAX
- INSULATION RESISTANCE : 500 MEGOHMS MIN @ 500 NDC.
- DIELECTRIC STRENGTH : 1000 VAC RMS 50Hz or 60Hz, 1MIN.

MECHANICAL:

- HOUSING & INSERT MATERIAL : PBT UL94V-0.
- CONTACT MATERIAL : DIAMETER 0.45MM PHOSPHOR BRONZE GOLD PLATING OVER NICKEL.
- MATING/UNMATING FORCE : 2.2KG. F MAX.
- RETENTION STRENGTH : 7.7KG. F MIN BETWEEN JACK AND PLUG.
- OPERATING LIFE : 600 CYCLES MIN.

ENVIRONMENTAL:

- STORAGE : -45°C ~ +80°C RELATIVE HUMIDITY < 70%
- OPERATION : -45°C ~ +80°C

DIMENSIONS TOLERANCE	METRIC
Up to 5	±0.2
Above 5~15	±0.3
Above 15~30	±0.4
Above 30~50	±0.5
Angle	±0.3°

單位(UNITS)	MM	處理(FINISH)	SEE NOTE	審校(CH'K)	Calvin
數量(QT'Y)	N/A	繪圖(DRAW)	Johnson	核准(APP'D)	Selena
材料(MT'L)	SEE NOTE	設計(DE'N)	Mike	日期(DATE)	APR.13.2016

圖名(NAME)	料號(PART NUMBER)	圖號(DRAW NUMBER)	圖檔(FILE NAME .DWG)
RJ45 10P8C 全塑 1x1 90/D 左綠右黃 Tab Down H:13.1mm	WRJ5H-108-11-xxRG66	C006	

WISCONN Technology Co., Ltd
Tel: 02-2790-1979 Fax: 02-2790-1569

比例(SCALE)	1/1	圖紙(SIZE)	A4	頁次(SHEET)	1	版次(REV.)	A
-----------	-----	----------	----	-----------	---	----------	---