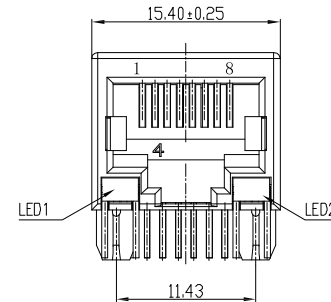
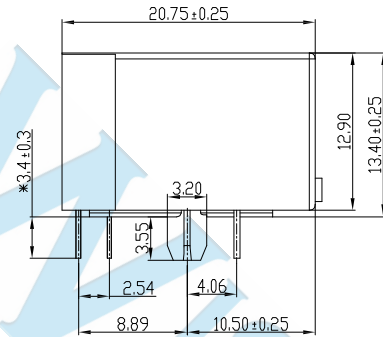
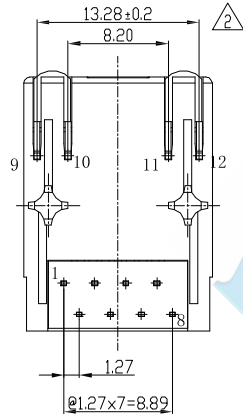


PC BOARD LAYOUT T=1.60mm
COMPONENT SIDE SHOWN
Tolerances±0.05mm



电气特性:
 1. 额定电压: 125 VAC RMS
 2. 额定电流: 1.5 AMP
 3. 接触电阻: 20 mΩ MAX.
 4. 绝缘电阻: 1000 MΩ MIN. 0500 VDC
耐压强度:
 CONTACT TO CONTACT : 1000 V DC OR AC PEAK ;
 CONTACT TO SCREEN AND TEST PANEL : 1500 V DC OR AC PEAK
 @ 0.5mA 50 Hz 或 60 Hz 一分钟

机构特性:
 1. 塑壳材质: 见料号表格, UL94V-0;
 2. 扁针材质: 磷青铜, 厚度0.35mm;
 3. 扁针电镀: 接触区镀金(见料号表格),
 镀底, 刺头电镀雾锡;
 4. 可靠性: 最少750次插拔;
 5. 插入/拔出力: 30N Max;
 6. 配合强度: 50N 60S±5S.

环境特性:
 1. 储存温度: -40℃ ~ +85℃
 相对湿度<80%
 2. 工作温度: -40℃ ~ +85℃

NOTES:

ELECTRICAL:

- | | |
|--------------------------|---|
| 1. VOLTAGE RATING | : 125 VAC RMS. |
| 2. CURRENT RATING | : 1.5 AMP. |
| 3. CONTACT RESISTANCE | : 20 MILLIOHMS MAX. |
| 4. INSULATION RESISTANCE | : 1000 MEGOHMS MIN @ 500 VDC |
| 5. DIELECTRIC STRENGTH | : CONTACT TO CONTACT:1000 V DC OR AC PEAK |
| | : CONTACT TO SCREEN AND TEST PANEL:1500 V DC OR AC PEAK |
| | : @ 0.5mA 50 Hz OR 60 Hz A MINUTE |

MECHANICAL:

- | | |
|-----------------------------|---|
| 1. HOUSING&INSERT& MATERIAL | : (SEE TABLE) UL94V-0. |
| 2. CONTACT MATERIAL | : PHOSPHOR BRONZE T=0.35mm. |
| 3. PLATING | 1: CONTACT AREA- SELECTIVE GOLD PLATING.
2: TAILS PLATING TIN OVER NICKEL. |
| 4. OPERATING LIFE | : 750 CYCLES MIN. |
| 5. MATING/UNMATING FORCE: | : 30N Max. |
| 6. RETENTION STRENGTH: | : 50N FOR 60S±5S. |

ENVIRONMENTAL:

- | | |
|--------------|---|
| 1. STORAGE | : -40°C TO +85°C RELATIVE HUMIDITY<80%. |
| 2. OPERATION | : -40°C TO +85°C. |
- MATES WITH MODULAR PLUG CONFORMING TO
FCC PART 68, SUBPART F.

DIMENSIONS TOLERANCE	UNITS	MM	FINISH	SEE NOTE	CH'K	Calvin
Up to 5 ±0.2	QT'Y	N/A	DRAW	Johnson	APP'D	Selena
Above 5~15 ±0.3						
Above 15~30 ±0.4	MT'L	SEE NOTE	DE'N	Mike	DATE	MAR.28.2018
Above 30~50 ±0.5						
Angle ±0.3°						

DRAW NAME	
RJ45 SINGLE PORT 10P8C LED WITHOUT SHIELDED	
PART NUMBER	WRJ5H-1008FN6BDR-YG
DRAW NUMBER	T028
FILE NAME .DWG	

WISCONN Technology Co., Ltd						
Tel:+886-2-2790-1979 Fax:+886-2-2790-1569						
SCALE	1/1	SIZE	A4	SHEET	1	REV.
						A