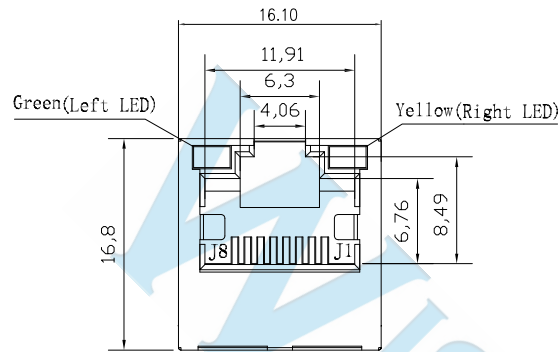
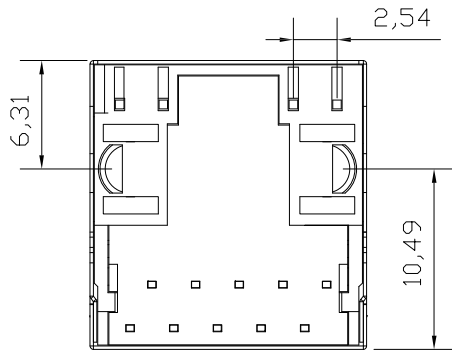




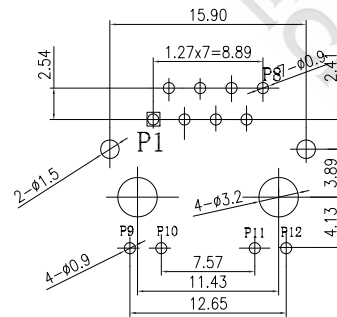
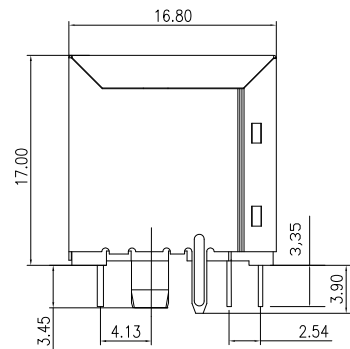
#### 4. Mechanicals:



#### LED Specification

Standard LED Color	LED Wavelength	Forward (V MAX)	Typical (V TYP)	Luminous Intensity
Green	560-580 nm	2.5V	2.1-2.2V	9-25 MCD
Yellow	580-610 nm	2.5V	2.1-2.2V	9-30 MCD

- LED intensity/wavelength measured with Photo Research PR-650 Colormeter
- With a forward current of 20 mA, Absolute Maximum Ratings (Ta=25°C)



P.C.B. RECOMMENDED HOLE LAYOUT SHOWN FROM COMPONENT SIDE.  
ALL CENTERLINE DIMENSIONS ARE BASIC

- Connector Material:  
Housing: Thermoplastic UL94 V-0  
Contact/Shield: Cooper alloy  
Shield Plating: Nickel  
Contact Plating: Selective gold 6u"; 15u"; 30u"; 50u" Min
- Tolerances comply with F.C.C dimension requirements
- Durability: 800 mating Min
- Meets or Exceeds IEEE802.3af standards including 350uH Min OCL @100KHz 100mV 8mA DC

#### DIMENSIONS TOLERANCE

#### METRIC

Up to 5	±0.2
Above 05~15	±0.3
Above 15~30	±0.4
Above 30~50	±0.5
Angle	±0.3°

UNITS	MM	FINISH	SEE NOTE	CH'K	Calvin
QT'Y	N/A	DRAW	Johnson	APP'D	Selena
MT'L	SEE NOTE	DE'N	Mike	DATE	May . 9 . 2023

#### DRAW NAME

RJ45 1X1 100M 180D LED(GY) H17.0mm

PART NUMBER	WRJ-1104D2002-2
DRAW NUMBER	C006
FILE NAME .DWG	

**WISCONN Technology Co., Ltd**

Tel:+886-2-2790-1979 Fax:+886-2-2790-1569

SCALE	1/1	SIZE	A4	SHEET	2	REV.	A
-------	-----	------	----	-------	---	------	---