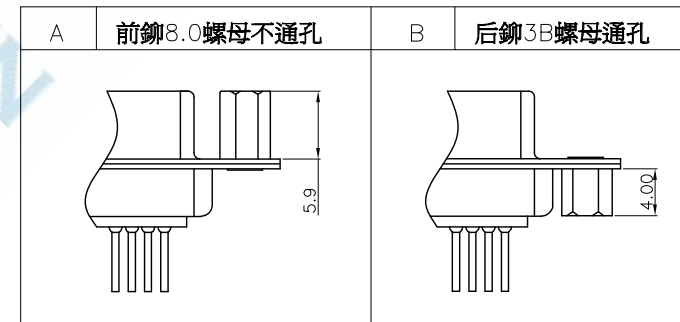


NOTE
MATERIAL
 INSULATOR: PBT +30%GF
 CONTACTS: BRASS
 SHELL: COLD ROLLED STEEL
 CONTACT PLATING: GOLD PLATING OVER NICKEL
ELECTRICAL SPECIFICATION
 CURRENT RATING: 1A;
 CONTACT RESISTANCE: 30mΩ MAX.
 INSULATION RESISTANCE: 500MΩ MIN 500V DC.
 DIELECTRIC WITHSTANDING VOLTAGE: 500V AC
 ENVIRONMENTAL
 OPERATING TEMPERATURE: -55°C~105°C.

PRODUCTS NO	DIMENSIONS					
	A	B	C	D	E	F
DB-09M	30.80	25.00	16.92	8.30	12.55	5.90
DB-15M	39.20	33.32	25.25	8.30	12.55	5.90
DB-19M	44.80	38.86	30.60	8.30	12.55	5.90
DB-23M	50.30	44.30	36.10	8.30	12.55	5.90
DB-25M	53.05	47.04	38.96	8.30	12.55	5.90
DB-37M	69.40	63.50	55.42	8.30	12.55	5.90



DIMENSIONS TOLERANCE METRIC .0=±0.30 .00=±0.20 .000=±0.10 ANG.=±2°	單位(UNITS)	MM	處理(FINISH)	SEE NOTE	審校(CH'K)	Calvin	圖名(NAME) D-SUB MALE DIP 180度 SOCKET		WISCONN Technology Co., Ltd Tel:02-2742-1798 Fax:02-2742-1898											
	數量(QTY)	N/A	繪圖(DRAW)	Johnson	核准(APP'D)	Selena							料號(PART NUMBER)	WDBM-xxFPxDV-x						
	材料(MTL)	SEE NOTE	設計(DE'N)	Mike	日期(DATE)	OCT.15.2007	圖號(DRAW NUMBER)	T005					比例(SCALE)	1/1	圖紙(SIZE)	A4	頁次(SHEET)	1	版次(REV.)	A
								圖檔(FILE NAME .DWG)												