

RECOMMEND PCB LAYOUT (MINIMUM THICKNESS OF THE PCB IS 0.8mm)
(OTHER TOLERANCES ARE NOT MARKED:±0.03)

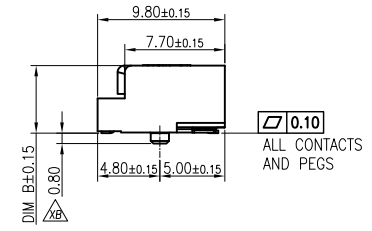
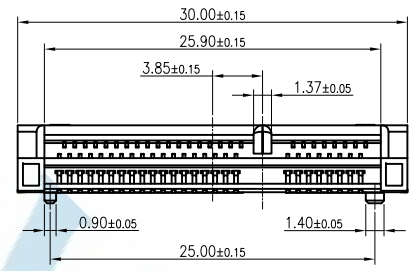
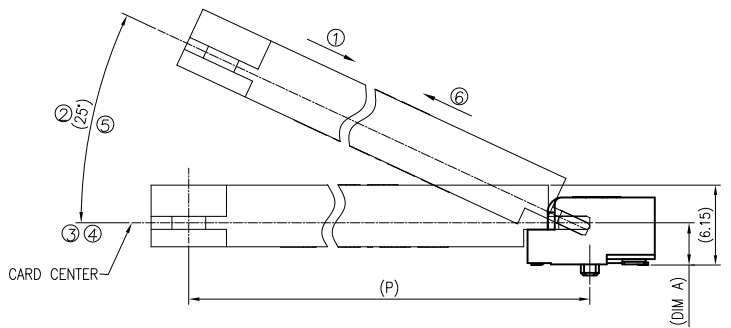
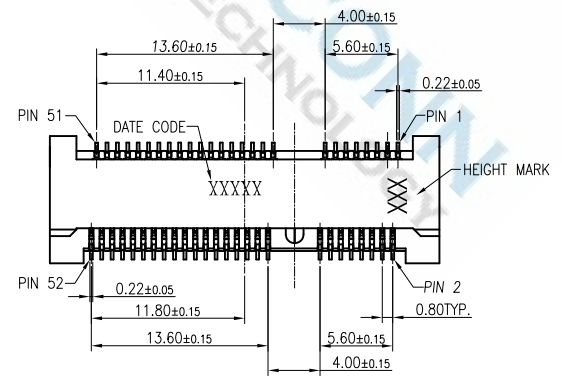
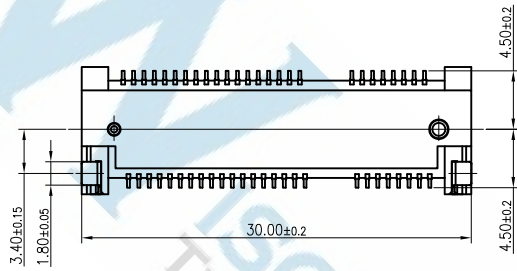


TABLE A

PART NO.	DIM	
	A	B
WMPE-52FLBSR-40	2.10	4.00
WMPE-52FLBSR-52	3.25	5.20
WMPE-52FLBSR-57	3.75	5.70
WMPE-52FLBSR-68	4.85	6.80
WMPE-52FLBSR-80	6.05	8.00
WMPE-52FLBSR-90	7.10	9.00



MATING: ① INSERTING (25°) → ② ROTATING → ③ FIXED
UNMATING: ④ UNFIXED → ⑤ ROTATING → ⑥ WITHDRAWING

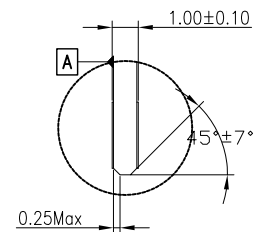


NOTES:

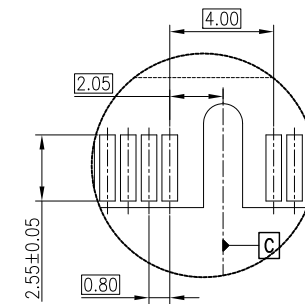
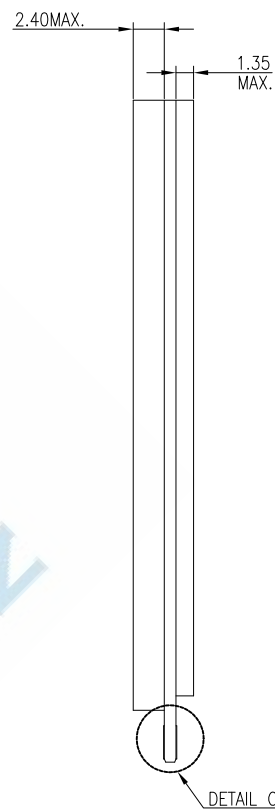
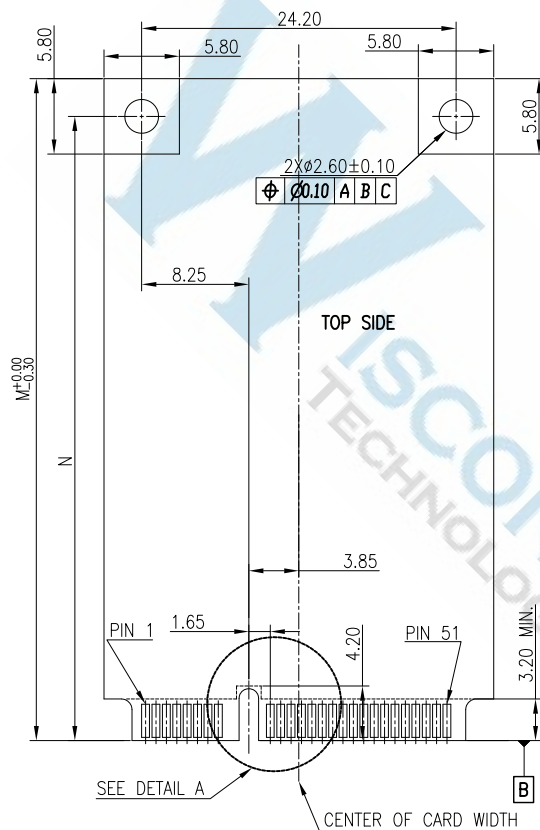
- MATERIAL:
HOUSING: THERMOPLASTIC, BLACK COLOR, FLAME RESISTANCE UL94-V0.
CONTACTS: COPPER ALLOY, THICKNESS 0.20mm.
SOLDER PEGS: COPPER ALLOY, THICKNESS 0.2mm.
- MSL LEVEL:
MSL(MOISTURE SENSITIVITY LEVELS)=1
- FINISHED:
CONTACTS: GOLD PLATING ON CONTACT AREA AND 50~120u" TIN PLATING ON SOLDER AREA.
30~120u" NICKEL UNDER-PLATING OVER ALL.
SOLDER PEGS: 50~120u" TIN PLATING OVER 50~120u" NICKEL UNDER-PLATING OVER ALL.

DIMENSIONS TOLERANCE	單位(UNITS)	MM	處理(FINISH)	SEE NOTE	審校(CH'K)	Calvin	圖名(NAME)		WISCONN Technology Co., Ltd Tel:02-2742-1798 Fax:02-2742-1898							
	METRIC	數量(QT'Y)	N/A	繪圖(DRAW)	Johnson	核准(APP'D)	Selena	料號(PART NUMBER) WMPE-52FLBSR-xx								
.0=±0.35 .00=±0.25 .000=±0.15 ANG.=±2°	材料(MT'L)	SEE NOTE	設計(DE'N)	Mike	日期(DATE)	OCT.15.2007	圖號(DRAW NUMBER)	T016	比例(SCALE)	1/1	圖紙(SIZE)	A4	頁次(SHEET)	1	版次(REV.)	A

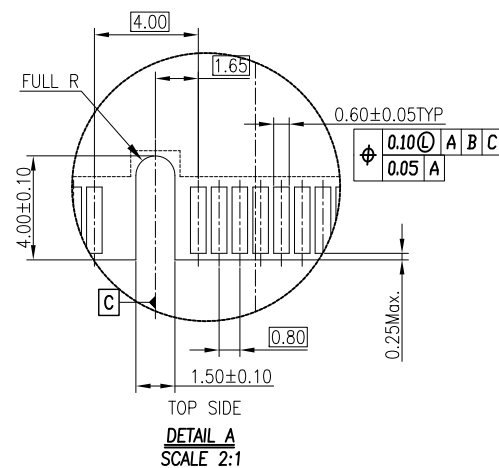
	M	N	P
FULL-MINI CARD	50.95	48.05	48.05
HALF-MINI CARD	26.8	23.9	23.9



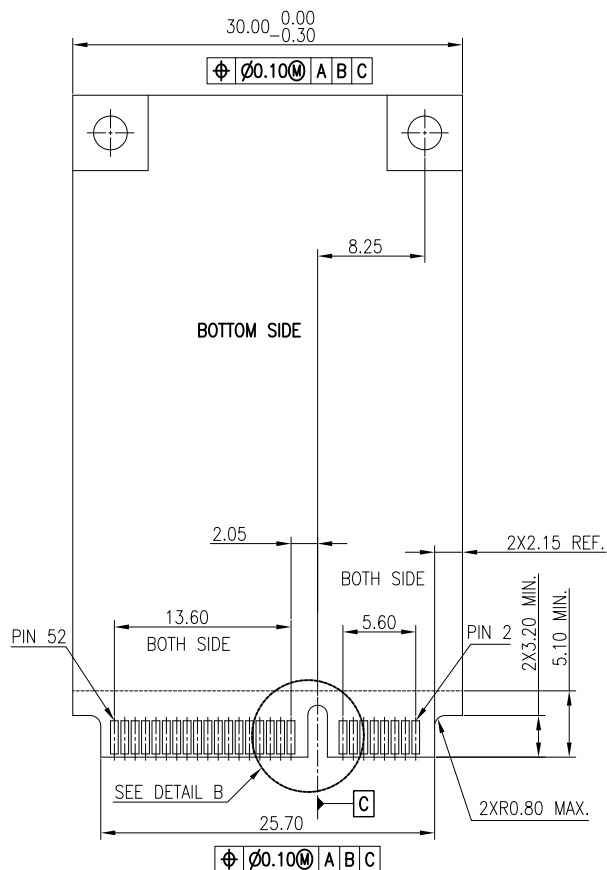
DETAIL C
SCALE 2:1



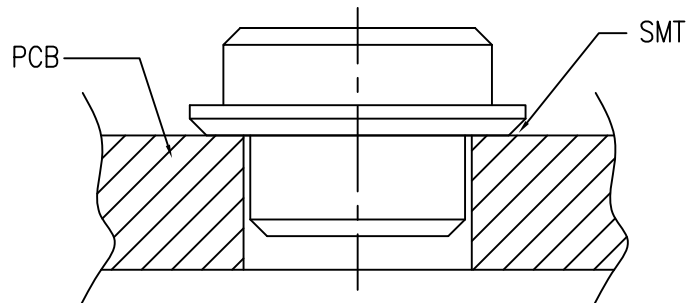
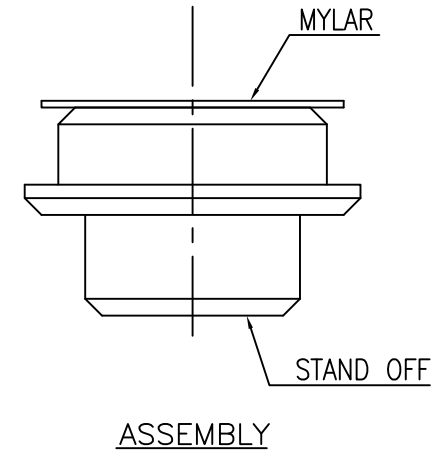
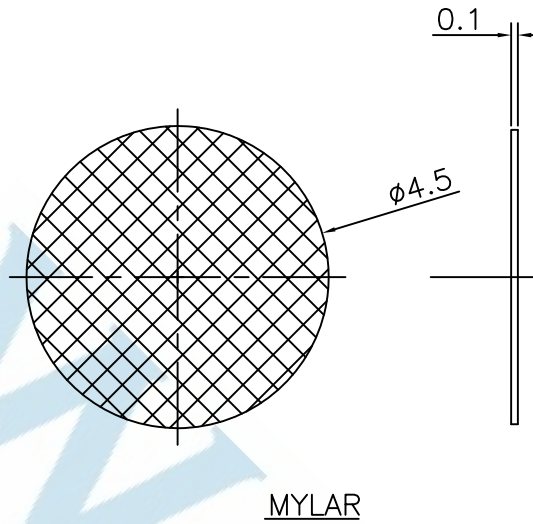
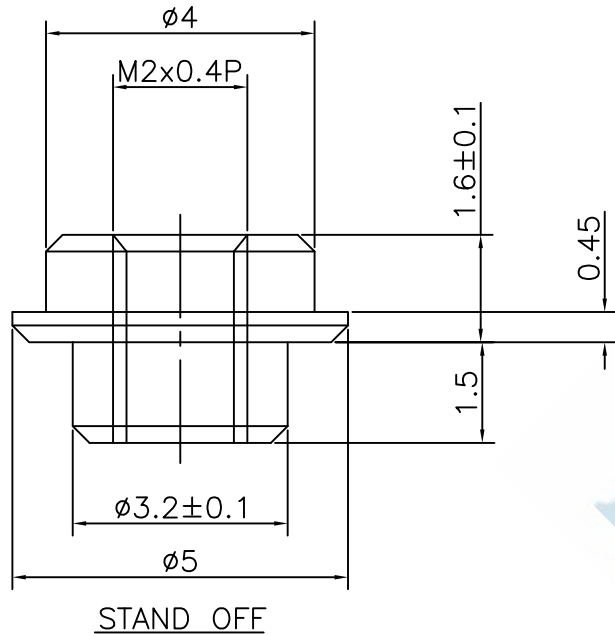
BOTTOM SIDE
DETAIL B
SCALE 2:1



TOP SIDE
DETAIL A
SCALE 2:1



DIMENSIONS TOLERANCE	單位(UNITS)	MM	處理(FINISH)	SEE NOTE	審核(CH'K)	Calvin	圖名(NAME)		WISCONN Technology Co., Ltd Tel:02-2742-1798 Fax:02-2742-1898									
	METRIC	數量(QTY)	N/A	繪圖(DRAW)	Johnson	核准(APP'D)	Selena	MINI PCI EXPRESS 0.8Pitch Series										
.0=±0.35 .00=±0.25 .000=±0.15 ANG.=±2°	材料(MT'L)	SEE NOTE	設計(DE'N)	Mike	日期(DATE)	OCT.15.2007	料號(PART NUMBER)	WMPE-52FLBSR-xx	圖號(DRAW NUMBER)	T016	比例(SCALE)	1/1	圖紙(SIZE)	A4	頁次(SHEET)	1	版次(REV.)	A



P/N	"D"±0.10	MINI PCI E P/N	實際組裝扭力
WMPE-STAND OFF-40	2.8	WMPE-52FLBSR-40	>2.5KG-CM MAX
WMPE-STAND OFF-57	3.3	WMPE-52FLBSR-57	>3.0KG-CM MAX
WMPE-STAND OFF-90	6.6	WMPE-52FLBSR-90	>3.0KG-CM MAX

備註:

- 材質
螺柱: C3604
MYLAR: POLYIMIDE FILM
- 電鍍規格
螺柱: Sn 100u"(min)
- 毛邊: 0.05 MAX.
- 一般公差: ±0.1
- 製造商依尺寸製作
- 重點尺寸: (1)~(99).

DIMENSIONS TOLERANCE

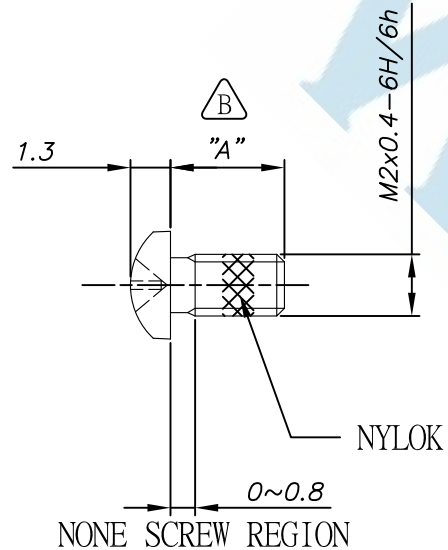
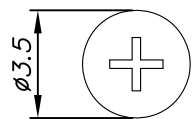
METRIC

.0=±0.30
.00=±0.20
.000=±0.10
ANG.=±2°

單位(UNITS)	MM	處理(FINISH)	SEE NOTE	審核(CH'K)	Calvin	圖名(NAME)
數量(QTY)	N/A	繪圖(DRAW)	Johnson	核准(APP'D)	Selena	MINI PCI-E STAND OFF
材料(MTL)	SEE NOTE	設計(DE'N)	Mike	日期 DATE)	OCT.15.2007	料號(PART NUMBER) WMPE-STAND OFF-xx
						圖號(DRAW NUMBER) T016
						圖檔(FILE NAME .DWG)

WISCONN Technology Co., Ltd
Tel:02-2742-1798 Fax:02-2742-1898

比例 (SCALE)	1/1	圖紙 (SIZE)	A4	頁次 (SHEET)	1	版次 (REV.)	A
------------	-----	-----------	----	------------	---	-----------	---



NOTES:

1. MATERIAL: COPPER ALLOY
2. PLATING: NICKEL
3. SCREW TORQUE: 2.04 KG-CM (MAX.)
FIRST STRIP: 0.20 KG-CM (MIN.)
FIFTH STRIP: 0.10 KG-CM (MIN.)
4. GENERAL TOLERANCE: ± 0.3
5. PACKING: 1000PCS/PE BAG

DIMENSIONS TOLERANCE METRIC .0= ± 0.30 .00= ± 0.20 .000= ± 0.10 ANG.= $\pm 2^\circ$	單位(UNITS)	MM	處理(FINISH)	SEE NOTE	審核(CH'K)	Calvin	圖名(NAME)		WISCONN Technology Co., Ltd Tel: 02-2742-1798 Fax: 02-2742-1898									
	數量(QTY)	N/A	繪圖(DRAW)	Johnson	核准(APP'D)	Selena	料號(PART NUMBER)								WMPE-SCREW-3.7			
	材料(MTL)	SEE NOTE	設計(DE'N)	Mike	日期(DATE)	OCT.15.2007	圖號(DRAW NUMBER)		T016		比例(SCALE)	1/1	圖紙(SIZE)	A4	頁次(SHEET)	1	版次(REV.)	A
								圖檔(FILE NAME .DWG)										