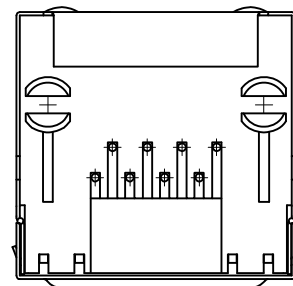


PC Board Layout  
Component Side Shown



NOTES:

MATERIAL :

- 1.HOUSING MATERIAL :PBT
- 2.CONTACT MATERIAL :PHOSPHOR BRONZE φ0.46mm.
- 3.PLATING :GOLD PLATING OVER NICKEL.
- 4.SHIELD :0.2mm THICKNESS COPPER ALLOY WITH NICKEL PLATED.
- 5.LED :OPTION

ELECTRICAL:

- 1.VOLTAGE RATING :125 VAC RMS.
- 2.CURRENT RATING :15 AMP.
- 3.CONTACT RESISTANCE :30 MILLIOHMS MAX.
- 4.INSULATION RESISTANCE :500 MEGOHMS MIN @ 500V DC .
- 5.DIELECTRIC WITHSTANDING RESISTANCE :1000V AC RMS 50Hz. 1MIN.

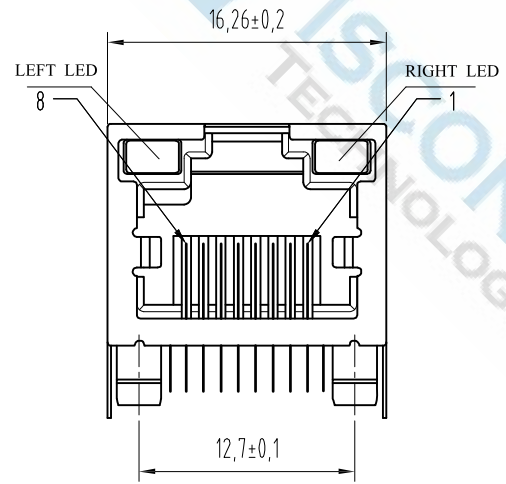
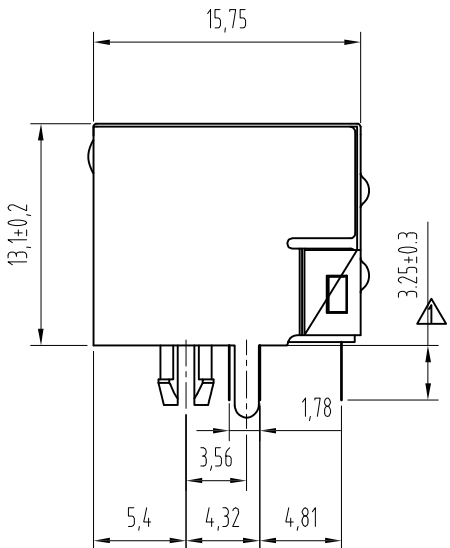
MECHANICAL:

- 1.DURRABILITY :750 CYCLES MIN.
- 2.PCB RETENTION PRE-SOLDER :1 LB MIN.

ENVIRONMENTAL:

- 1. STORAGE : -40℃~+85℃
- 2. OPERATION : -40℃ TO 70℃.

PART NUMBER:



DIMENSIONS TOLERANCE METRIC .0=±0.30 .00=±0.20 .000=±0.10 ANG.=±2°	單位(UNITS)	MM	處理(FINISH)	SEE NOTE	審校(CH'K)	Calvin	圖名(NAME) RJ45 1x1 Series SHELL W/LED		WISCONN Technology Co., Ltd Tel:02-2742-1798 Fax:02-2742-1898			
	數量(QT'Y)	N/A	繪圖(DRAW)	Johnson	核准(APP'D)	Selena						
	料號(PART NUMBER)	WRJ5-08XXBPBRD-XX	料號(DRAW NUMBER)	C004	比例(SCALE)	1/1	圖紙(SIZE)	A4	頁次(SHEET)	1	版次(REV.)	A
	材料(MT'L)	SEE NOTE	設計(DE'N)	Mike	日期 DATE)	OCT.15.2007	圖檔(FILE NAME .DWG)					