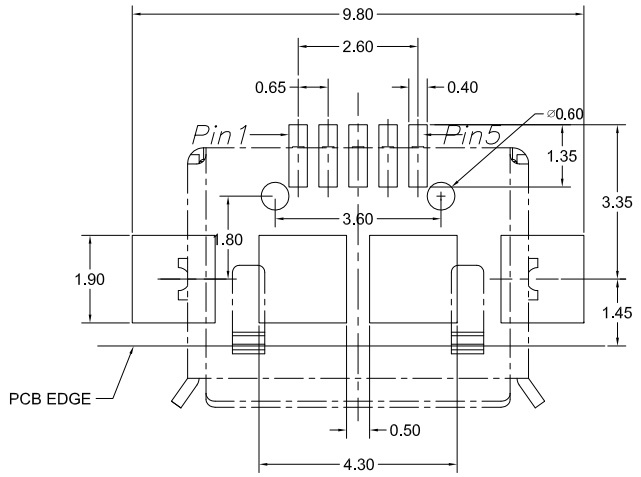
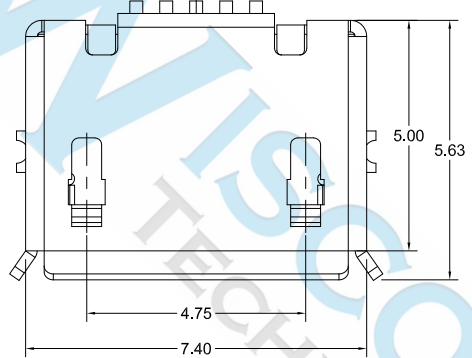
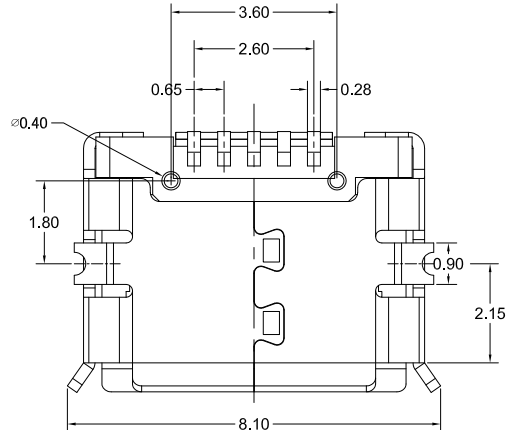
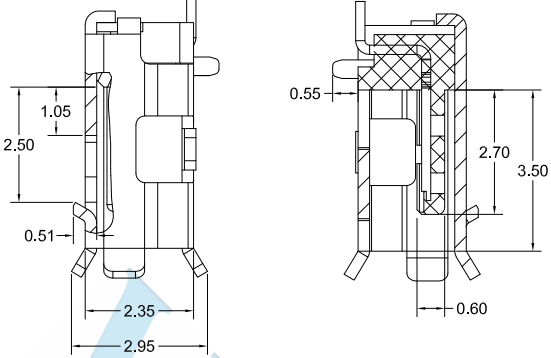
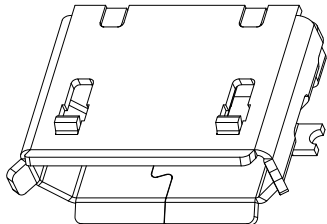


1 2 3 4 5 6 7 8 9 10 11 12 13 14

J  
I  
H  
G  
F  
E  
D  
C  
B  
A

J  
I  
H  
G  
F  
E  
D  
C  
B  
A



**RECOMMENDED PCB LAYOUT**

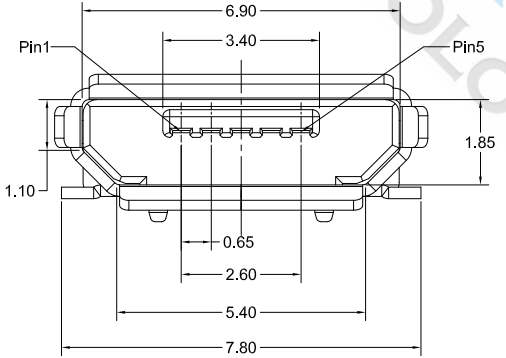
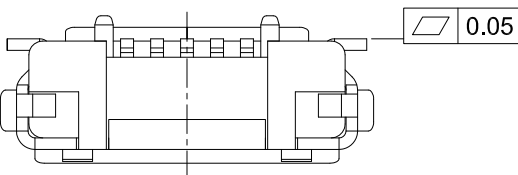
**Notes:**

**1. Materials:**

- 1.1 Housing: High temperature thermoplastic with g.f,UL94 v-0.
- 1.2 Contact: copper alloy,t=0.20mm.
- 1.3 Shell: copper alloy,t=0.25mm.

**2. Specifications:**

- 2.1. Current rating: 1 A Max.
- 2.2. Dielectric withstanding:voltage: 100 V(ac) for 1 min.
- 2.3. Contact resistance: 50 mW Max.
- 2.4. Insulation resistance: 100 MW Min.
- 2.5. Total mating force: 3.57 Kgf Max.
- 2.6. Total unmating force: 1.0 Kgf Min.0.81~2.05 Kgf Min.after 10000 insertion/extraction cycles
- 2.7. Temperature range: -30°C~+80°C



DIMENSIONS TOLERANCE <b>METRIC</b> .0=±0.30 .00=±0.20 .000=±0.10 ANG.=±2°	UNITS	MM	FINISH	SEE NOTE	CH'K	Calvin	DRAW NAME		<b>WISCONN Technology Co., Ltd</b> Tel:+886-2-2790-1979 Fax:+886-2-2790-1569							
	QTY	N/A	DRAW	Johnson	APP'D	Selena	MICRO USB 5B SMT 定位柱 3.6									
	MT'L	SEE NOTE	DE'N	Mike	DATE	December.19.2018	PART NUMBER	WMRU2-05FLBSR-3.6								
							DRAW NUMBER	C008	SCALE	1/1	SIZE	A4	SHEET	1	REV.	A
							FILE NAME .DWG									

1 2 3 4 5 6 7 8 9 10 11 12 13 14