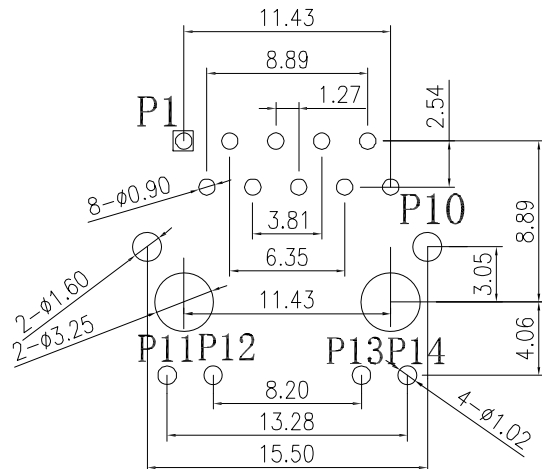


### LED Specification

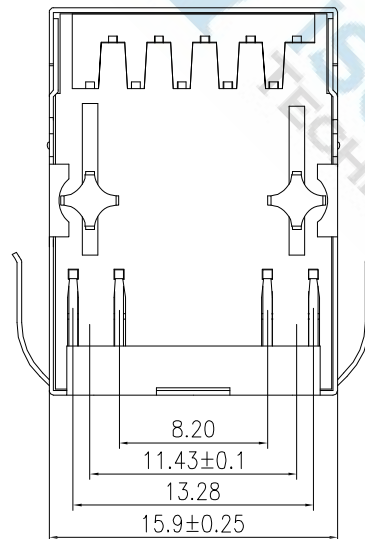
| Standard LED Color | LED Wavelength | Forward (V MAX) | Typical (V TYP) | Luminous Intensity |
|--------------------|----------------|-----------------|-----------------|--------------------|
| Green              | 560-580 nm     | 2.5V            | 2.1-2.2V        | 9-25 MCD           |
| Yellow             | 580-610 nm     | 2.5V            | 2.1-2.2V        | 9-30 MCD           |

- LED intensity/wavelength measured with Photo Research PR-650 Colormeter
- With a forward current of 20 mA, Absolute Maximum Ratings (Ta=25°C)

- Connector Material:**  
 Housing: Thermoplastic UL94 V-0  
 Contact/Shield: Cooper alloy  
 Shield Plating: Nickel  
 Contact Plating: Selective gold 6u"; 15u"; 30u"; 50u" Min
- Tolerances comply with F.C.C dimension requirements
- Durability: 800 mating Min

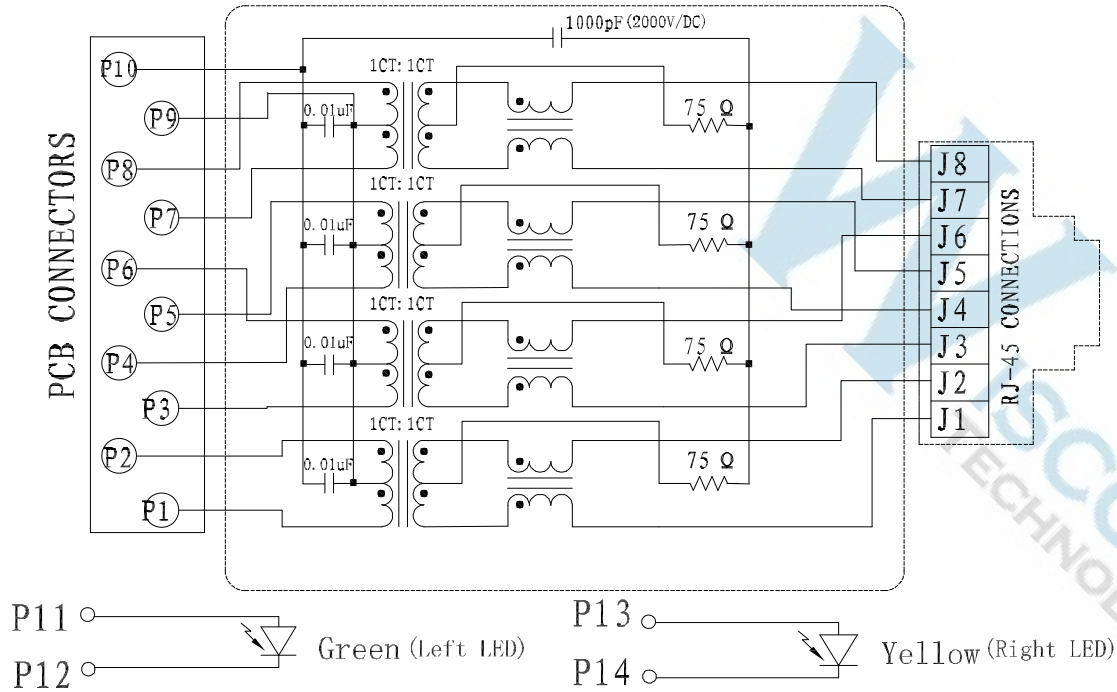


P. C. B RECOMMENDED HOLE LAYOUT SEEN FROM COMPONENT SIDE.  
ALL CENTERLINE DIMENSIONS ARE BASIC



|  |           |          |            |          |           |             |  |   |           |     |          |    |           |                 |                 |   |
|--|-----------|----------|------------|----------|-----------|-------------|--|---|-----------|-----|----------|----|-----------|-----------------|-----------------|---|
| DIMENSIONS TOLERANCE<br><b>METRIC</b><br>.0=±0.30<br>.00=±0.20<br>.000=±0.10<br>ANG.=±2° | 單位(UNITS) | MM       | 處理(FINISH) | SEE NOTE | 審核(CH'K)  | Calvin      | 圖名(NAME)<br>RJ45 1x1 With 100/1000 Base-T W/EMI<br>Tab Down 左綠右黃(4.06mm) L:21.35 | <b>WISCONN Technology Co., Ltd</b><br>Tel:02-2742-1798 Fax:02-2742-1898 |           |     |          |    |           |                 |                 |   |
|  | 數量(QT'Y)  | N/A      | 繪圖(DRAW)   | Johnson  | 核准(APP'D) | Selena      |  |   |           |     |          |    |           | 料號(PART NUMBER) | WRJ-1108D1064-1 |   |
|  | 材料(MT'L)  | SEE NOTE | 設計(DE'N)   | Mike     | 日期(DATE)  | DEC.24.2014 | 圖號(DRAW NUMBER)  | C006  | 比例(SCALE) | 1/1 | 圖紙(SIZE) | A4 | 頁次(SHEET) | 1               | 版次(REV.)        | A |
|  |           |          |            |          |           |             |  | 圖檔(FILE NAME .DWG)  |           |     |          |    |           |                 |                 |   |

### 3. Schematics:



### 1. Electrical Specifications: @25°C

- 1.1. Isolation Voltage: 1500V/AC (Input to Output)
- 1.2. OCL: 350uH Minimum @100KHz 100mV 8mA DC
- 1.3. Insertion Loss: -1.2dB Maximum @100KHz-100MHz
- 1.4. Return Loss: -18dB Minimum @1MHz-30MHz  
-14dB Minimum @30MHz-60MHz  
-12dB Minimum @60MHz-80MHz  
-10dB Minimum @80MHz-100MHz
- 1.5. Common Mode Rejection: -30dB Minimum @1MHz-100MHz
- 1.6. Cross Talk: -30dB Minimum @1MHz-100MHz
2. Operating and Storage Temperature:
  - 2.1. Operating Temperature: -40°C to +85°C
  - 2.2. Storage Temperature: -40°C to +85°C

|   |           |          |            |          |           |             |   |                    |  |     |          |    |           |   |          |   |
|---|-----------|----------|------------|----------|-----------|-------------|---|--------------------|--|-----|----------|----|-----------|---|----------|---|
| DIMENSIONS TOLERANCE<br>METRIC<br>.0=±0.30<br>.00=±0.20<br>.000=±0.10<br>ANG.=±2° | 單位(UNITS) | MM       | 處理(FINISH) | SEE NOTE | 審核(CH'K)  | Calvin      | 圖名(NAME)<br>RJ45 1x1 With 100/1000 Base-T W/EMI<br>Tab Down 左綠右黃(4.06mm ) L:21.35 |                    | WISCONN Technology Co., Ltd<br>Tel:02-2742-1798 Fax:02-2742-1898 |     |          |    |           |   |          |   |
|   | 數量(QTY)   | N/A      | 繪圖(DRAW)   | Johnson  | 核准(APP'D) | Selena      | 料號(PART NUMBER)   | WRJ-1108D1064-1    |  |     |          |    |           |   |          |   |
|   | 材料(MTL)   | SEE NOTE | 設計(DE'N)   | Mike     | 日期 DATE)  | DEC.24.2014 | 圖號(DRAW NUMBER)   | C006               | 比例(SCALE)  | 1/1 | 圖紙(SIZE) | A4 | 頁次(SHEET) | 1 | 版次(REV.) | A |
|   |           |          |            |          |           |             |   | 圖檔(FILE NAME .DWG) |  |     |          |    |           |   |          |   |