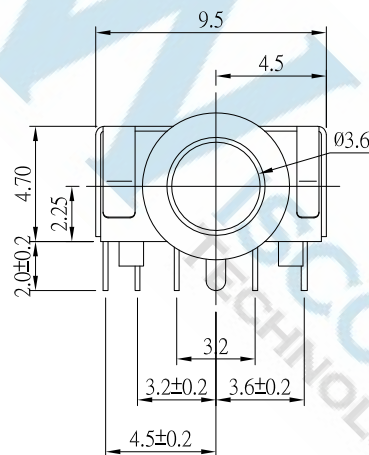
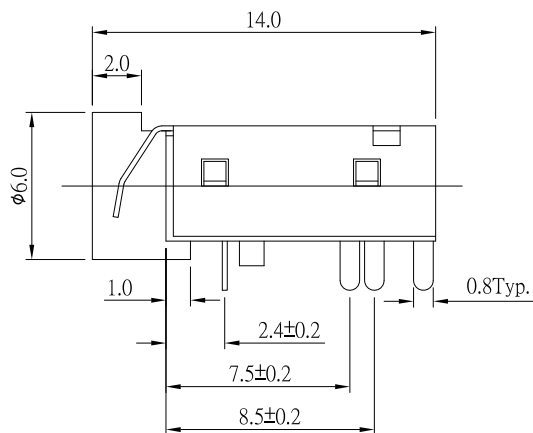


P. C. B LAYOUT
TOP VIEW



SCHEMATIC

SPECIFICATIONS

Rating	DC 30V 0.5A ;
Contact Resistance	≤ 0.03 Ω ;
Insulation Resistance	≥ 100M Ω (DC 250V) ;
Withstand voltage	500VAC
Insertion and extraction force	3-20N
Life test	5,000 cycles
General Tolerance	less than 1 ---> ±0.1 1 - 3 ---> ±0.2 more than 3 ---> ±0.3

PJ-D3043B-S125	PJ-D3043B1-S125	PJ-D3043B2-S125	PJ-D3043B3-S125	PJ-D3043B4-S125

DIMENSIONS TOLERANCE METRIC .05±0.30 .00±0.20 .000±0.10 ANG.=±2°	單位(UNITS)	MM	處理(FINISH)	SEE NOTE	審核(CH'K)	Calvin	圖名(NAME) EAR PHONE JACK 粉綠色		WISCONN Technology Co., Ltd Tel:02-2742-1798 Fax:02-2742-1898							
	數量(QTY)	N/A	繪圖(DRAW)	Johnson	核准(APP'D)	Selena	料號(PART NUMBER)	WPJ-D3043Bx-GE-S125								
	材料(MT'L)	SEE NOTE	設計(DE'N)	Mike	日期 DATE)	OCT.15.2007	圖號(DRAW NUMBER)	T002	比例(SCALE)	1/1	圖紙(SIZE)	A4	頁次(SHEET)	1	版次(REV.)	A
								圖檔(FILE NAME .DWG)								