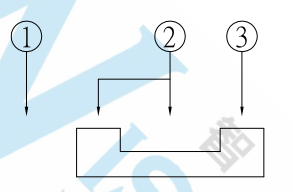


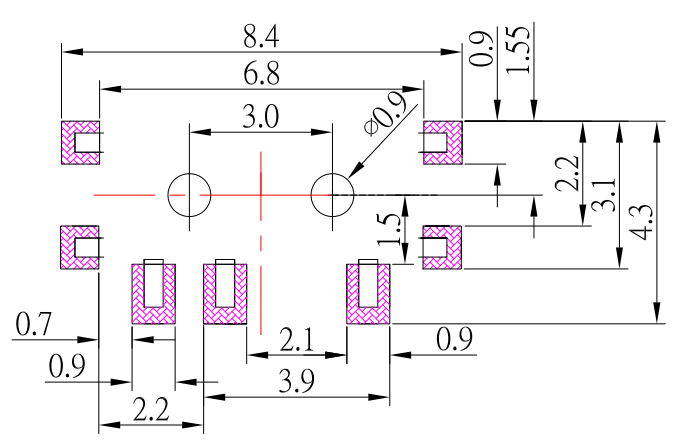
實際出貨開關靠左



CIRCUIT DIAGRAM

SPECIFICATIONS

Rating	0.3A 4V DC
Insulation Resistance	50MΩ Min.
Dielectric Withstanding Voltage	AC 250 V(50Hz)1min
Contact Resistance	100mΩ Max.
Operating Force	160 ± 100gf
Operating Life	10,000 cycles



P.C.B LAND PATTERN

F	CLIP	1	BeCu	Ag plated
E	TERMINAL	1	PHOSPHOR BRONZE	Ag plated
D	SPRING	1	SUS	
C	COVER	1	BRASS	Ag plated
B	CASE	1	LCP	Black
A	SLIDER	1	PA46	
NO.	DESCRIPTION	QTY	MATERIAL	PLATING

DIMENSIONS TOLERANCE METRIC .0±0.30 .00±0.20 .000±0.10 ANG.=±2°	單位(UNITS)	MM	處理(FINISH)	SEE NOTE	審核(CH'K)	Calvin	圖名(NAME) SLIDE SWITCH 兩段式SMT側開關 (實際出貨開關靠左)	WISCONN Technology Co., Ltd Tel:02-2790-1979 Fax:02-2790-1569									
	數量(QTY)	N/A	繪圖(DRAW)	Johnson	核准(APP'D)	Selena								料號(PART NUMBER)	WSS-B90AP-x		
	材料(MT'L)	SEE NOTE	設計(DE'N)	Mike	日期 DATE)	JUN.04.2016								圖號(DRAW NUMBER)	T002	圖檔(FILE NAME .DWG)	