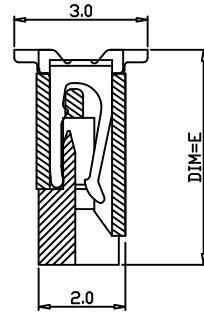
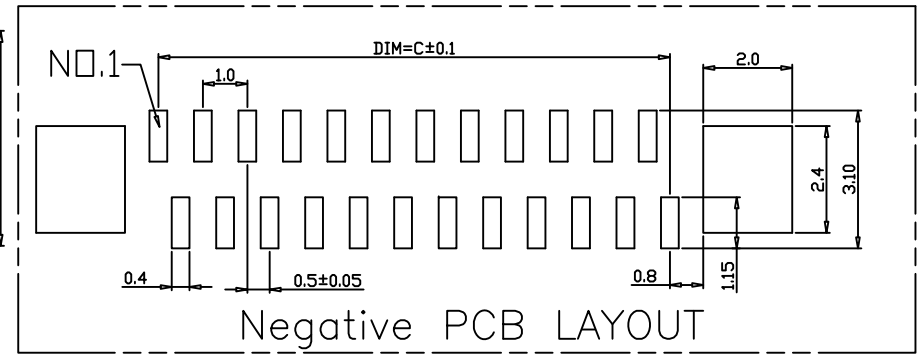


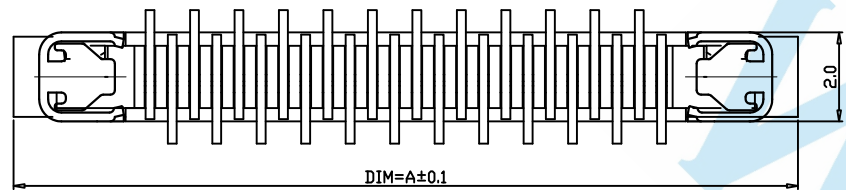
Positive PCB LAYOUT



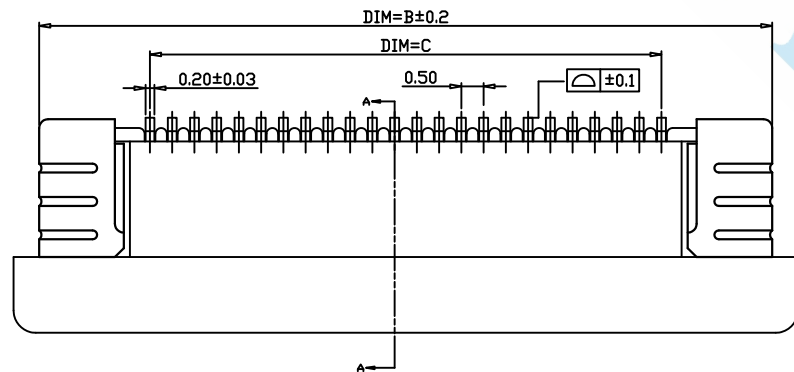
SECTION A-A



Negative PCB LAYOUT

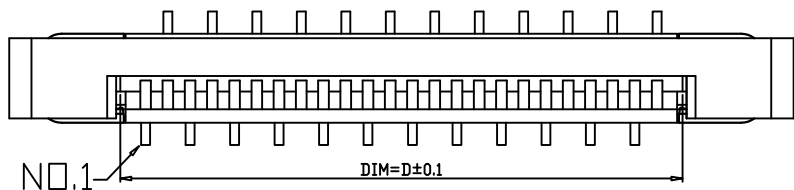


DIM=A±0.1



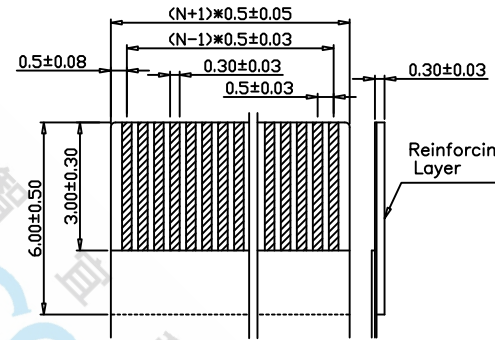
DIM=B±0.2

DIM=C



NO.1

DIM=D±0.1



RECOMMENDED FFC/FPC DIM.

Electrical Characteristics:
 Current rating: 0.4A AC/DC
 Voltage rating: 50V AC/DC
 Temperature range: -25°C~+85°C
 Withstand Voltage: 200V AC/Minute
 Contact Resistance: ≤ 20mΩ
 Insulation resistance: ≥ 500MΩ
 Relative Humidity: 93%+40°C

Material Description:
 Terminal: Phosphor Bronze
 Fitting Nail: Brass
 Housing: LCP (UL94V-0)
 Slider: LCP (UL94V-0)

ORDER INFORMATION

WF05A4 — P — XX — P — R

SERIES NO.	CONTACT TYPE. P: Positive N: Negative	PIN No.	CONTACT PLATING T: Pure Tin G1: 1u Gold ...	PACKAGE T: Tube R: Tape/Ree M: T&R with Mylar
------------	---	---------	--	--

PIN NO.	DIM. A	DIM. B	DIM. C	DIM. D
4~N~40	N*0.5+5.6	N*0.5+4.5	N*0.5-0.50	N*0.5+0.60
DIM. E	4~N~34 E=4.4 ; 35~N~40 E=4.9			

DIMENSIONS TOLERANCE METRIC .0=±0.30 .00=±0.20 .000=±0.10 ANG.=±2°	單位(UNITS)	MM	處理(FINISH)	SEE NOTE	審校(CH'K)	Calvin	圖名(NAME) FPC 0.5mm ZIF SMT VERTICAL TYPE		WISCONN Technology Co., Ltd Tel:02-2742-1798 Fax:02-2742-1898							
	數量(QT'Y)	N/A	繪圖(DRAW)	Johnson	核准(APP'D)	Selena	料號(PART NUMBER)	WF05A4-P-XX-P-R								
	材料(MT'L)	SEE NOTE	設計(DE'N)	Mike	日期(DATE)	OCT.15.2007	圖號(DRAW NUMBER)	T001	比例(SCALE)	1/1	圖紙(SIZE)	A4	頁次(SHEET)	1	版次(REV.)	A
								圖檔(FILE NAME .DWG)								