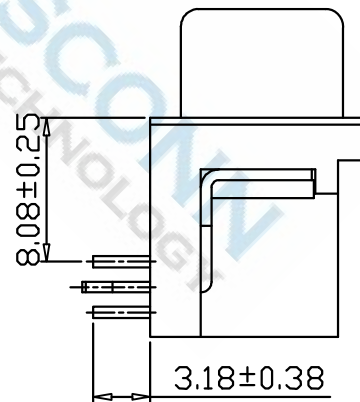
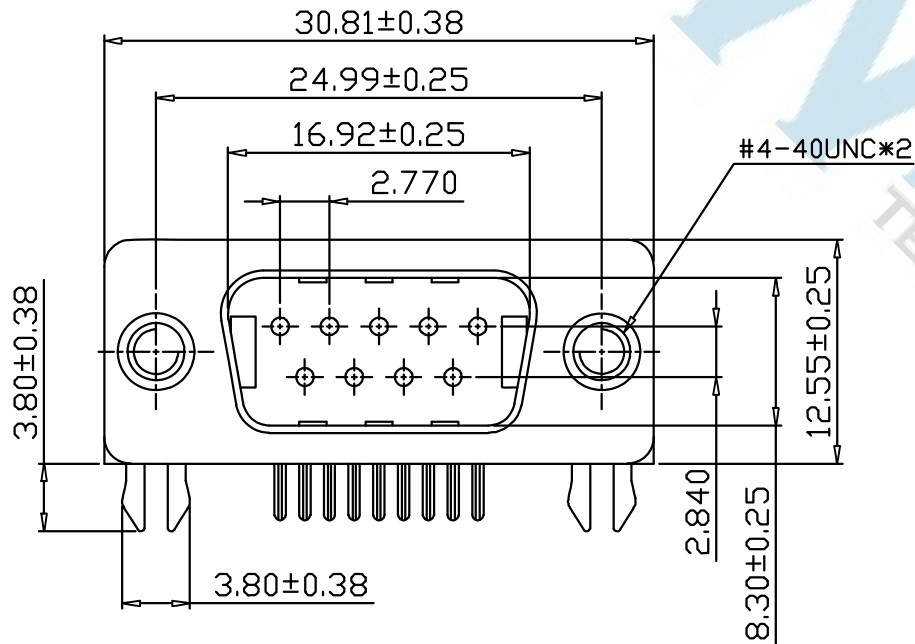
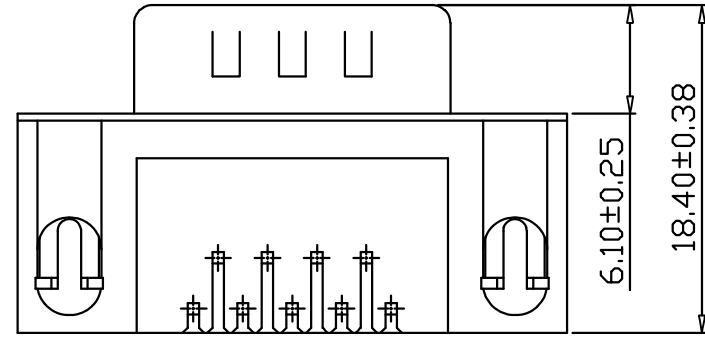


P.C.B. LAYOUT



MATERIALS:

1. Housing: PBT (UL 94V-0), Green
2. Contacts: Brass
3. Shell: SPCC
4. Rivet: Copper Alloy (Lead ≤ 40000PPM)
5. Board Lock: SPCC

FINISH:

1. Contacts: Gold Flash Plated on Contact Area
Sn Plated on Solderails
Nickel Under Plated Over All
2. Shell: Nickel Plated
3. Rivet: Nickel Plated
4. Board Lock: Sn Plated

DIMENSIONS TOLERANCE

METRIC

.0=±0.30
.00=±0.20
.000=±0.10
ANG.=±2°

單位(UNITS)	MM	處理(FINISH)	SEE NOTE	審核(CH'K)	Calvin
數量(QT'Y)	N/A	繪圖(DRAW)	Johnson	核准(APP'D)	Selena
材料(MT'L)	SEE NOTE	設計(DE'N)	Mike	日期(DATE)	OCT.15.2007

圖名(NAME)	D-SUB 09M(8.08mm) R/A G/F BLACK No Screw	
料號(PART NUMBER)	WDBM-09FPBDR-8.08	
圖號(DRAW NUMBER)	T005	
圖檔(FILE NAME .DWG)		

WISCONN Technology Co., Ltd

Tel:02-2742-1798 Fax:02-2742-1898

比例(SCALE)	1/1	圖紙(SIZE)	A4	頁次(SHEET)	1	版次(REV.)	A
-----------	-----	----------	----	-----------	---	----------	---