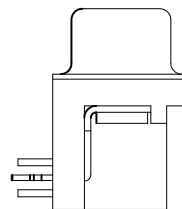
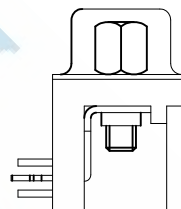
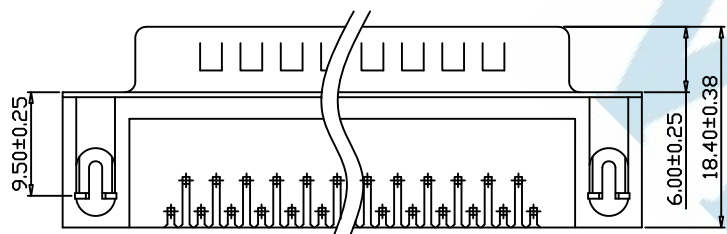
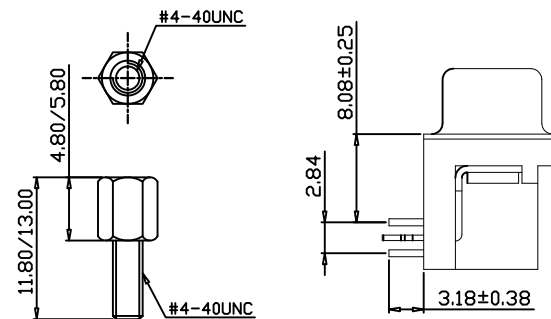


P.C.B. LAYOUT

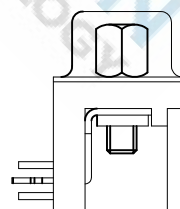
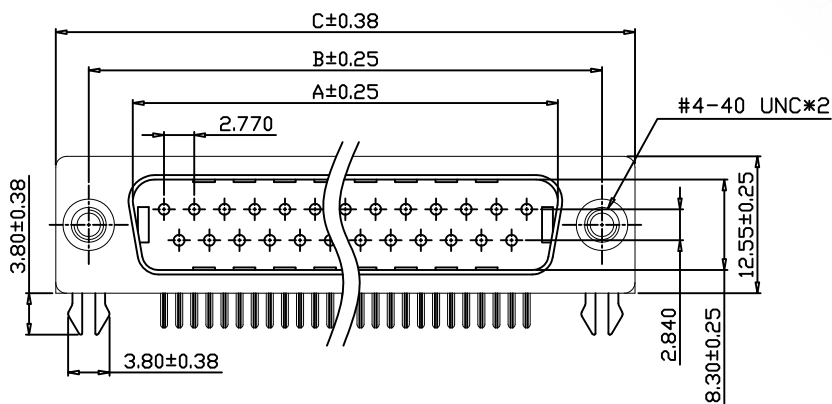


TYPE A



TYPE B

NO. OF POS.	A	B	C
09	16.92	24.99	30.80
15	25.25	33.30	39.20
25	38.96	47.04	53.10
37	55.42	63.50	69.34



TYPE C

MATERIALS:

- Housing: PBT (UL 94V-0)
- Contacts: Brass
- Shell: SPCC
- Rivet: Copper Alloy(Lead ≤40000PPM)
- Board Lock: SPCC
- Screw: SPCC Or Copper Alloy(Lead ≤40000PPM)

FINISH:

- Contacts: Gold Plated on Contact Area
Sn Plated on Solderails
Nickel Under Plated Over All
- Shell: Nickel Plated
- Rivet: Nickel Plated
- Board Lock: Sn Plated
- Screw: Nickel Plated

DIMENSIONS TOLERANCE METRIC .0=±0.30 .00=±0.20 .000=±0.10 ANG.=±2°	單位(UNITS)	MM	處理(FINISH)	SEE NOTE	審核(CH'K)	Calvin	圖名(NAME)		WISCONN Technology Co., Ltd Tel:02-2742-1798 Fax:02-2742-1898							
	數量(QT'Y)	N/A	繪圖(DRAW)	Johnson	核准(APP'D)	Selena	D-SUB Male(8.08)R/A G/F BLACK									
	材料(MT'L)	SEE NOTE	設計(DE'N)	Mike	日期 DATE)	OCT.15.2007	料號(PART NUMBER)	WDBM-xxFPBDR-8.08								
							圖號(DRAW NUMBER)	T005		比例 (SCALE)	1/1	圖紙 (SIZE)	A4	頁次 (SHEET)	1	版次 (REV.)