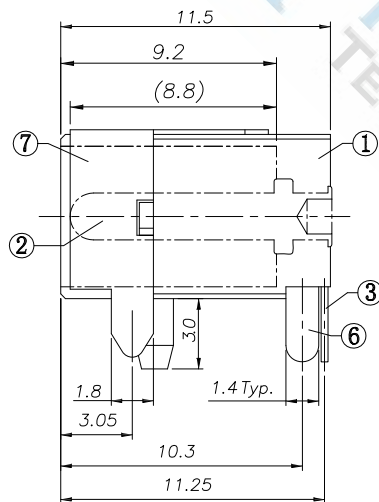
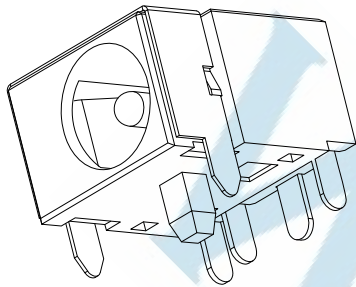
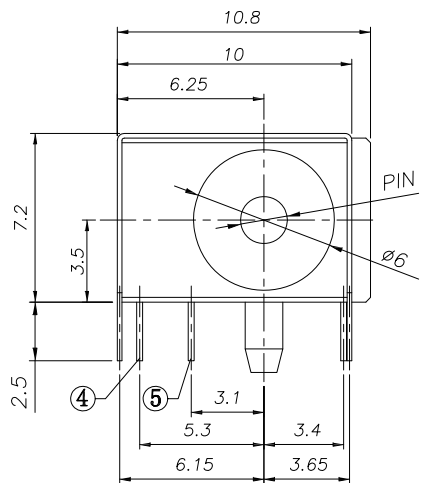
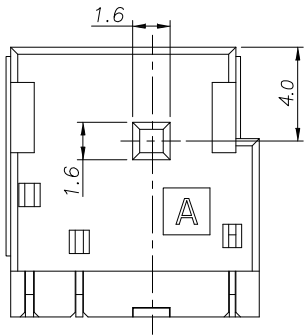


DC MATE PLUG

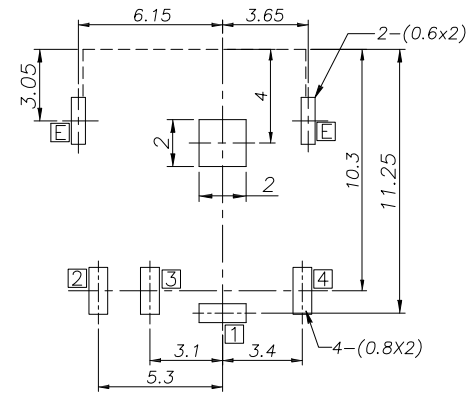


□: TERMINAL NO.

| | |
|------------|----------------------------------|
| Model NO. | WDC-07ADR |
| Schematic | |
| CENTER PIN | ø1.65 mm ø2.00 mm ø2.50 mm |

WDC-07ADR-x

Center pin



RECOMMENDED P. C. B. LAYOUT
(BOTTOM VIEW)

Specification:

- Rating : DC 25V 3A.
- Contact resistance: ≤30mΩ.
After test: ≤50mΩ
- Insulation resistance: ≥100MΩ (500VDC).
After test: ≥50MΩ
- Withstanding voltage: . . .
- Insertion and extraction force: 3N~30N.
- life test: 5000cycles min.
- Operation temperature range:-20°C~70°C.
- Preservative temperature range:-40°C~85°C.
- Center pin diameter:
G=ø1.65 H=ø2.0 J=ø2.5

| | | | | | |
|-----|---------------------|-----|----------|-----------------|----------------|
| ⑦ | Ground shield | E | 1 | Brass | Nickel plating |
| ⑥ | Tip spring-2 | 4 | 1 | Phosphor Bronze | Silver plating |
| ⑤ | Shunt terminal | 3 | 1 | Brass | Silver plating |
| ④ | Tip spring-1 | 2 | 1 | Phosphor bronze | Silver plating |
| ③ | Center pin terminal | 1 | 1 | Brass | Silver plating |
| ② | Center pin | | 1 | Copper alloy | Nickel plating |
| ① | Housing | | 1 | PBT/PA9T/PA10T | Black |
| NO. | DESCRIPTION | QTY | MATERIAL | REMARK | |

| | | | | | | | | | | | | | | | |
|--|-----------|----------|------------|----------|-----------|-------------|--|--|-----|-----------|----|------------|---|-----------|---|
| DIMENSIONS TOLERANCE METRIC .0±0.30 .00±0.20 .000±0.10 ANG.=±2° | 單位(UNITS) | MM | 處理(FINISH) | SEE NOTE | 審核(CH'K) | Calvin | 圖名(NAME) DC JACK 料號(PART NUMBER) WDC-07ADR-x 圖號(DRAW NUMBER) T002 圖檔(FILE NAME .DWG) | WISCONN Technology Co., Ltd Tel:02-2742-1798 Fax:02-2742-1898 | | | | | | | |
| | 數量(QTY) | N/A | 繪圖(DRAW) | Johnson | 核准(APP'D) | Selena | | | | | | | | | |
| | 材料(MT'L) | SEE NOTE | 設計(DE'N) | Mike | 日期 DATE) | OCT.15.2007 | | | | | | | | | |
| | | | | | | | | 比例 (SCALE) | 1/1 | 圖紙 (SIZE) | A4 | 頁次 (SHEET) | 1 | 版次 (REV.) | A |