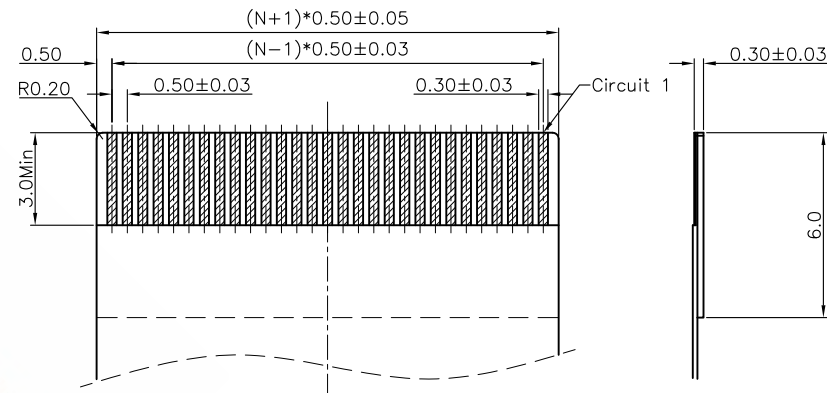
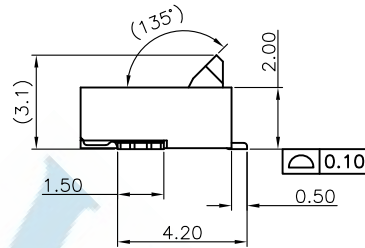
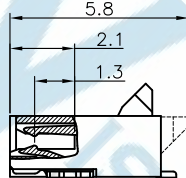


Material:

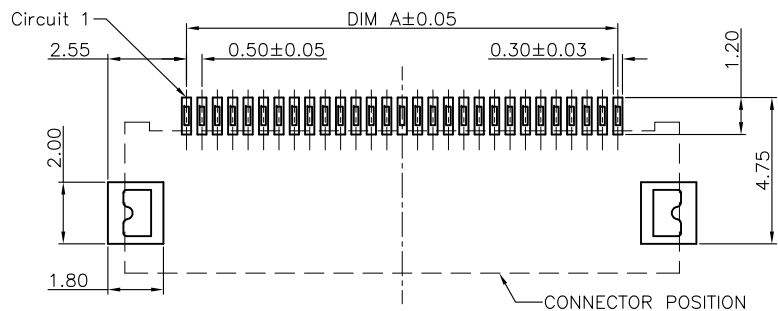
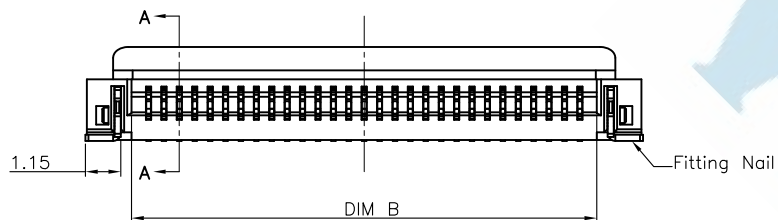
- 1.1 Housing: thermoplastic high temp. UL94V-0; Color: Natural.
- 1.2 Latch: thermoplastic high temp. UL94V-0; Color: Black.
- 1.3 Terminal: Copper Alloy.
- 1.4 Fitting Nail: Copper Alloy.



RECOMMENDED FPC/FFC DIMENSION



SECTION A-A
SCALE 1:1



PCB LAYOUT

PIN NO.	DIM. A	DIM. B	DIM. C	DIM. D
4~N~60	NX0.5-0.5	NX0.5+0.6	NX0.5+3.5	NX0.5+3.6

DIMENSIONS TOLERANCE METRIC .0=±0.30 .00=±0.20 .000=±0.10 ANG.=±2°	單位(UNITS)	MM	處理(FINISH)	SEE NOTE	審核(CH'K)	Calvin	圖名(NAME) FPC 0.5 CONNECTOR H:2.0mm 背插式雙接點 中鍍片	WISCONN Technology Co., Ltd Tel:02-2742-1798 Fax:02-2742-1898									
	數量(QT'Y)	N/A	繪圖(DRAW)	Johnson	核准(APP'D)	Selena						料號(PART NUMBER)	WF0520BF-F2-xx-P-R				
	材料(MT'L)	SEE NOTE	設計(DE'N)	Mike	日期 DATE)	OCT.15.2007	圖號(DRAW NUMBER)					T001	圖檔(FILE NAME .DWG)		比例(SCALE)	1/1	圖紙(SIZE)