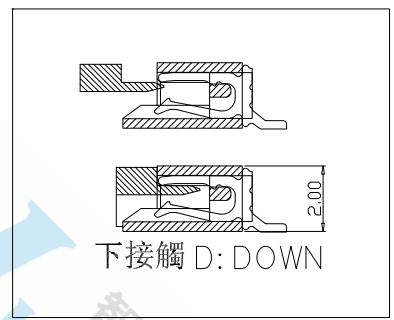
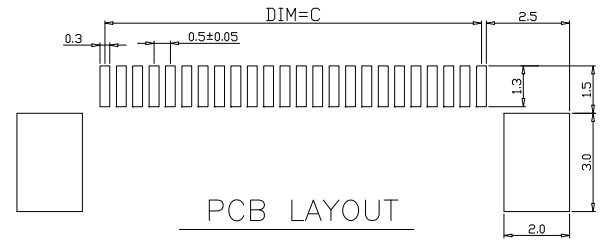


上接觸 A: ABOVE



下接觸 D: DOWN



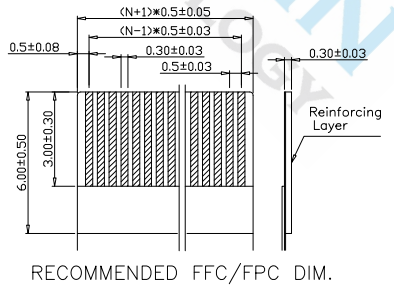
PIN NO.	DIM. A	DIM. B	DIM. C	DIM. D
4~N~60	N*0.5+5.6	N*0.5+4.6	N*0.5-0.50	N*0.5+0.60
DIM. E	4~N~34 E=5.25 ; 35~N~60 E=5.75			

ORDER INFORMATION

WF05A3	×	xx	P	R
SERIES NO.	CONTACT TYPE. A: ABOVE D: DOWN	PIN No.	CONTACT PLATING P: Pure Tin G: 1u Gold ...	PACKAGE T: Tube R: Tape/Reel

Material:

- 1.1 Housing: thermoplastic high temp UL94V-0; Color: Natural.
- 1.2 Latch: thermoplastic high temp. UL94V-0; Color: Black.
- 1.3 Terminal: Copper Alloy.
- 1.4 Fitting Nail: Copper Alloy.



DIMENSIONS TOLERANCE
METRIC
.0=±0.30
.00=±0.20
.000=±0.10
ANG.=±2°

單位(UNITS)	MM	處理(FINISH)	SEE NOTE	審核(CH'K)	Calvin
數量(QT'Y)	N/A	繪圖(DRAW)	Johnson	核准(APP'D)	Selena
材料(MT'L)	SEE NOTE	設計(DE'N)	Mike	日期 DATE)	DEC.29.2016

圖名(NAME)	FPC 0.5 CONNECTOR H2.0 拉拔式 上下接共用圖
料號(PART NUMBER)	WF05A3-x-xx-P-R
圖號(DRAW NUMBER)	T001
圖檔(FILE NAME .DWG)	

WISCONN Technology Co., Ltd
Tel:02-2790-1979 Fax:02-2790-1569

比例 (SCALE)	1/1	圖紙 (SIZE)	A4	頁次 (SHEET)	1	版次 (REV.)	A
------------	-----	-----------	----	------------	---	-----------	---