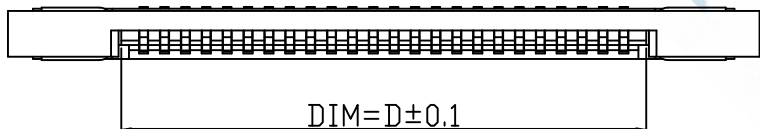
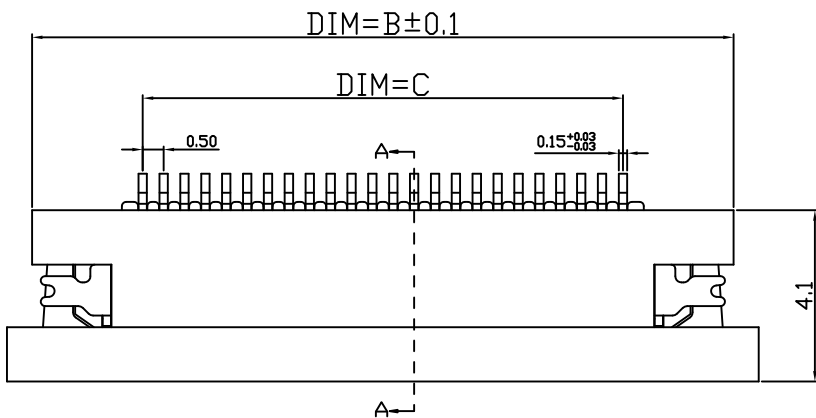


PCB LAYOUT

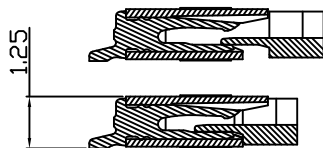


DIM=D±0.1

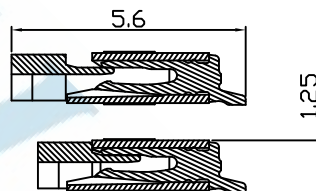


DIM=B±0.1

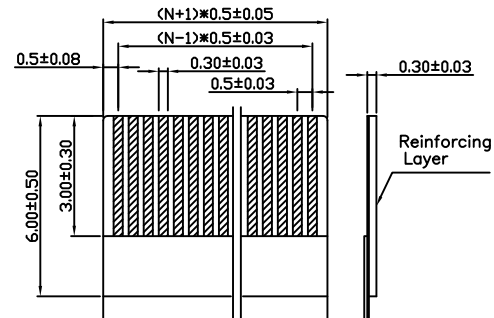
DIM=C



SECTION A-A
上接觸 ABOVE



SECTION A-A
下接觸 DOWN



RECOMMENDED FFC/FPC DIM.

Note:

1. Material:

- 1.1 Insulator: LCP UL94V-0
- 1.2 Contact: COPPER ALLOY
- 1.3 Fitting Nail: COPPER ALLOY

2. SPECIFICATION:

- 2.1 CURRENT RATING: 0.4A Max.
- 2.2 VOLTAGE RATING: 50V AC/DC
- 2.3 CONTACT RESISTANCE: 20m ohms Max.
- 2.4 INSULATION RESISTANCE: 500M ohms Min.
- 2.5 TEMPERATURE RANGE: -25°C~+85°C

ORDER INFORMATION

WF05D3 — D — XX — P — R
 SERIES NO. CONTACT TYPE. PIN No. CONTACT PLATING PACKAGE
 A: ABOVE P: Pure Tin T: Tube
 D: DOWN ... R: Tape/Reel

PIN NO.	DIM. A	DIM. B	DIM. C	DIM. D
6~N~40	0.5*N+6.0	0.5*N+4.8	0.5*(N-1)	0.5*N+0.6

DIMENSIONS TOLERANCE METRIC .0=±0.30 .00=±0.20 .000=±0.10 ANG.=±2°	單位(UNITS)	MM	處理(FINISH)	SEE NOTE	審校(CH'K)	Calvin	圖名(NAME) FPC 0.5mm ZIF SMT R/A TYPE H:1.2mm	WISCONN Technology Co., Ltd Tel:02-2742-1798 Fax:02-2742-1898					
	數量(QTY)	N/A	繪圖(DRAW)	Johnson	核准(APP'D)	Selena						料號(PART NUMBER)	WF05D3-X-XX-P-R
	材料(MTL)	SEE NOTE	設計(DE'N)	Mike	日期 DATE)	OCT.15.2007						圖號(DRAW NUMBER)	T001

PIN数	DIM=A	DIM=B	DIM=C	DIM=D
50P	31.0	29.8	24.50	25.6
49P	30.5	29.3	24.00	25.1
48P	30.0	28.8	23.50	24.6
47P	29.5	28.3	23.00	24.1
46P	29.0	27.8	22.50	23.6
45P	28.5	27.3	22.00	23.1
44P	28.0	26.8	21.50	22.6
43P	27.5	26.3	21.00	22.1
42P	27.0	25.8	20.50	21.6
41P	26.5	25.3	20.00	21.1
40P	26.0	24.8	19.50	20.6
39P	25.5	24.3	19.00	20.1
38P	25.0	23.8	18.50	19.6
37P	24.5	23.3	18.00	19.1
36P	24.0	22.8	17.50	18.6
35P	23.5	22.3	17.00	18.1
34P	23.0	21.8	16.50	17.6
33P	22.5	21.3	16.00	17.1
32P	22.0	20.8	15.50	16.6
31P	21.5	20.3	15.00	16.1
30P	21.0	19.8	14.50	15.6
29P	20.5	19.3	14.00	15.1
28P	20.0	18.8	13.50	14.6
27P	19.5	18.3	13.00	14.1
26P	19.0	17.8	12.50	13.6
25P	18.5	17.3	12.00	13.1
24P	18.0	16.8	11.50	12.6
23P	17.5	16.3	11.00	12.1
22P	17.0	15.8	10.50	11.6
21P	16.5	15.3	10.00	11.1
20P	16.0	14.8	9.50	10.6
19P	15.5	14.3	9.00	10.1
18P	15.0	13.8	8.50	9.6
17P	14.5	13.3	8.00	9.1
16P	14.0	12.8	7.50	8.6
15P	13.5	12.3	7.00	8.1
14P	13.0	11.8	6.50	7.6
13P	12.5	11.3	6.00	7.1
12P	12.0	10.8	5.50	6.6
11P	11.5	10.3	5.00	6.1
10P	11.0	9.8	4.50	5.6
9P	10.5	9.3	4.00	5.1
8P	10.0	8.8	3.50	4.6
7P	9.5	8.3	3.00	4.1
6P	9.0	7.8	2.50	3.6
5P	8.5	7.3	2.00	3.1
4P	8.0	6.8	1.50	2.6