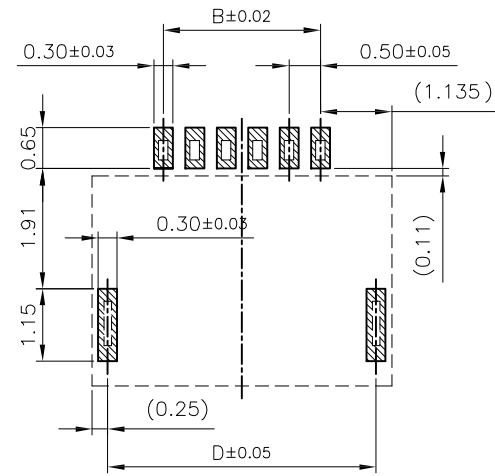
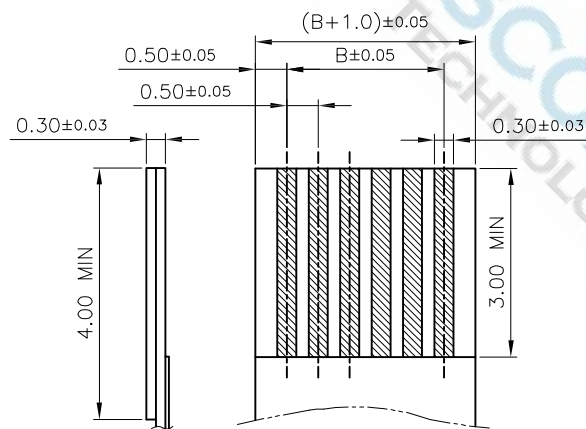


NOTES:

- MATERIAL:
 - HOUSING: HIGHT-TEMP PLASTIC, UL 94V-0, COLOR: WHITE;
 - COVER: HIGHT-TEMP PLASTIC, UL 94V-0, COLOR: BROWN;
 - CONTACT: COPPER ALLOY;
 - PEG: COPPER ALLOY;
- PLATING:
 - CONTACT: GOLD OR TIN PLATED ON NICKEL OVERALL.
 - PEG: TIN PLATED ON NICKEL OVERALL.
- RATING:
 - CURRENT RATING: 0.4A AC/DC
 - VOLTAGE RATING: 50V AC/DC
 - TEMPERATURE RAN E: -55° ~ +85°



RECOMMEND PCB LAYOUT
TOLERANCE: ±0.05



Applicable FPC

Ordering Information:

WF05W1B — XX — G — R
 SERIES NO. PIN NO. PLATING PACKING
 G: Gold Flash R: Tape/Reel

PIN NO.	DIM. A	DIM. B	DIM. C	DIM. D
4~N~60	NX0.5+1.77	NX0.5-0.50	NX0.5+0.60	NX0.5+1.27

DIMENSIONS TOLERANCE

METRIC
 .0=±0.30
 .00=±0.20
 .000=±0.10
 ANG.=±2°

單位(UNITS)	MM	處理(FINISH)	SEE NOTE	審核(CH'K)	Calvin
數量(QT'Y)	N/A	繪圖(DRAW)	Johnson	核准(APP'D)	Selena
材料(MT'L)	SEE NOTE	設計(DE'N)	Mike	日期(DATE)	OCT.15.2007

圖名(NAME)

FPC 0.5mm ZIF CONNECTOR PIANO TYPE 1.0H

料號(PART NUMBER)

WF05W1B-XX-G-R

圖號(DRAW NUMBER)

T001

圖檔(FILE NAME .DWG)

WISCONN Technology Co., Ltd

Tel:02-2742-1798 Fax:02-2742-1898

比例(SCALE)	1/1	圖紙(SIZE)	A4	頁次(SHEET)	1	版次(REV.)	A
-----------	-----	----------	----	-----------	---	----------	---