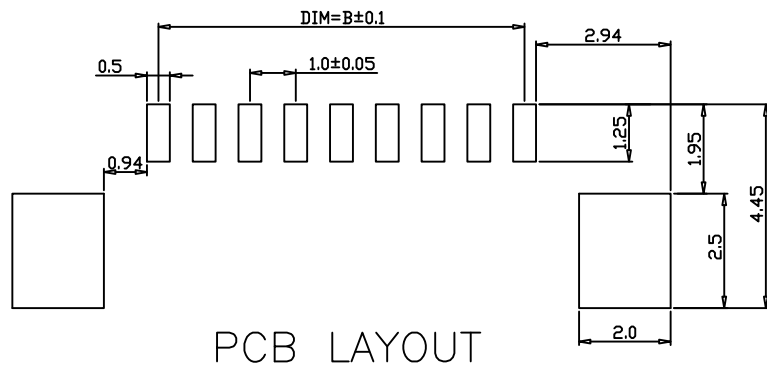
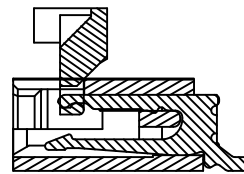
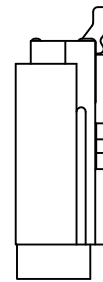
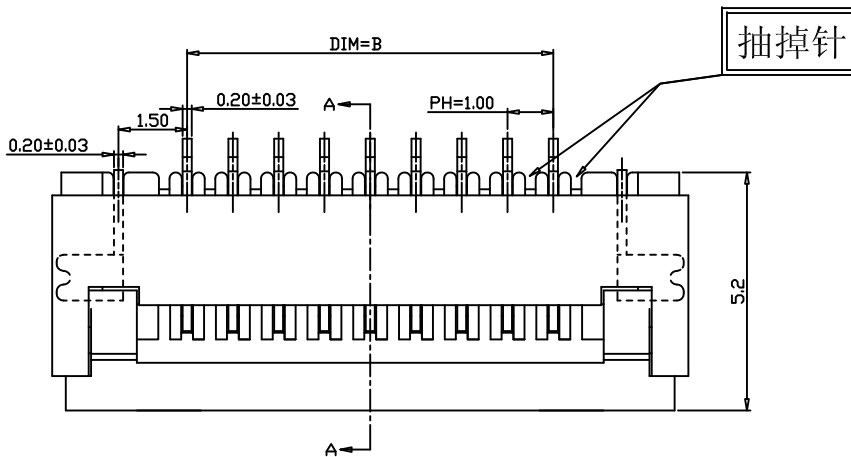


SECTION A-A

RECOMMENDED FFC/FPC DIM.



PCB LAYOUT



Note:

1. Material:

- 1.1 Insulator: LCP UL94V-0
- 1.2 Contact: COPPER ALLOY
- 1.3 Fitting Nail: COPPER ALLOY

2. SPECIFICATION:

- 2.1 CURRENT RATING: 0.4A Max.
- 2.2 VOLTAGE RATING: 50V AC/DC
- 2.3 CONTACT RESISTANCE: 20m ohms Max.
- 2.4 INSULATION RESISTANCE: 500M ohms Min.
- 2.5 TEMPERATURE RANGE: -25°C~+85°C

PIN NO.	DIM. A	DIM. B	DIM. C
4~n~22	n+4.90	n-1.00	n+1.10

ORDER INFORMATION

WF10A1C	—	XX	—	P	—	R
SERIES NO.		PIN No.		CONTACT PLATING P: Pure Tin ...		PACKAGE T: Tube R: Tape/Reel

DIMENSIONS TOLERANCE METRIC .0=±0.30 .00=±0.20 .000=±0.10 ANG.=±2°	單位<UNITS>	MM	處理<FINISH>	SEE NOTE	審核<CH'K>	Calvin	圖名<NAME> FPC 1.0mm ZIF SMT R/A PIANO TYPE		WISCONN Technology Co., Ltd Tel: 02-2742-1798 Fax: 02-2742-1898							
	數量<QT'Y>	N/A	繪圖<DRAW>	Johnson	核准<APP'D>	Selena										
	材料<MT'L>	SEE NOTE	設計<DE'N>	Mike	日期<DATE>	OCT.15.2007	料號<PART NUMBER>	WF10A1C-XX-P-R								
							圖號<DRAW NUMBER>	T001					圖檔<FILE NAME .DWG>	比例<SCALE>	1/1	圖紙<SIZE>