

Y KUEQP P "VGEJ P QNQI ['EQ0NVF

SPECIFICATION FOR APPROVAL

PART NO.: WIS9759-A8N1000-006

PRODUCT DESCRIPTION.: 10/100 Base-T RJ45, 1X1 TabDown w/Transformer and w/oLED

REV:A

WISCONN

MARKETING GROUP	R&D GROUP	QA GROUP
ISSUED BY	CHECKED BY	QA INSPECTION
Tony Zheng	Victor Ran	Tony Cheng

CUSTOMER: _____

CUSTOMER PART NO.: _____

SAMPLE Q'TY: _____

CUSTOMER

CUSTOMER APPROVAL:

APPROVAL

CONCESSIONARY

REJECTED

ISSUED BY	CHECKED BY	APPROVED BY

COMMENTS:

7F-2.No.783,SEC.4,BADERD.,SONGSHAN DIST.,TAIPEI CITY 10567,TAIWAN(R.O.C)

Tel: 02-2742-1798#608 Fax: 02-2742-1898

Email: ryan@wisconn.com.tw

Web Site: <http://www.wisconn.com.tw>

Y KUEQP P "VGEJ P QNQI ['EQ0NVF

SPECIFICATION FOR APPROVAL

CUSTOMER PART NO.:	TEMP(°C):25
WISCONN PART NO.: WIS9759-A8N1000-006	HUM(%):65 RH
PRODUCT DESCRIPTION.: 10/100 Base-T RJ45, 1X1 TabDown w/Transformer and w/oLED	REV:A

CONTENT

	TOTAL	11	PAGES
1. COVER PAGE	PAGE	1	OF 11
2. CONTENT	PAGE	2	OF 11
3. REVISION CHANGE RECORD	PAGE	3	OF 11
4. SPECIFICATION AND PERFORMANCE	PAGE	4	OF 11
5. MECHANICAL DIMENSION AND LABEL	PAGE	5	OF 11
6. RECOMMENDED PCB LAYOUT	PAGE	6	OF 11
7. CIRCUIT SCHEMATIC	PAGE	7	OF 11
8. ELECTRICAL CHARACTERISTICS	PAGE	8	OF 11
9. PROFILE OF WAVE SOLDER	PAGE	9	OF 11
10. MATERIAL LIST	PAGE	10	OF 11
11. PACKAGE	PAGE	11	OF 11

Y KUEQP P "VGEJ P QNQI ['EQ0NVF

SPECIFICATION FOR APPROVAL

CUSTOMER PART NO.:

WISCONN PART NO.: WIS9759-A8N1000-006

PRODUCT DESCRIPTION.: 10/100 Base-T RJ45, 1X1 TabDown w/Transformer and w/oLED

TEMP(°C):25

HUM(%):65 RH

REV:A

4. SPECIFICATION AND PERFORMANCE

4-1 Scope

This specification covers the requirements for product performance, tests and quality assurance provisions for TRANSFORMER JACK

4-2 Applicable document

The following documents form a part of this specification to the extent specified herein. In the event of conflict between the requirements of this specification and the product drawing shall take precedence

4-3 Requirements

4-3-1 Design and construction

Product shall be of the design, construction and physical dimensions specified on the applicable product drawing
Complies with IEEE standards and all 10/100 Ethernet

4-3-2 Materials and finish

Housing:	Nylon46(Glass filed polyester UL94V-0)
Contact:	Phosphor Bronze t=0.35mm FLAT PIN
Plating:	6U" gold plating over nickel
Shield:	0.20mm thickness copper alloy with nickel plated
PCB retention pre-solder:	1LB min.
PCB retention post-solder:	10 LBS min.
Tails:	150U"~200U" Tin-Lead min. over 30U" ~50U" nickel(RoHS6)

4-3-3 Mechanical characteristics:

Durability:750(modular jack) insertion/plug dimension cycles at min. rate of 120 cycles per minute

4-3-4 Electrical

Current rating:	1.5AMP
Voltage rating:	125VAC max.
Contact resistance:	30 milliohms max.@500 VDC.
Insulation resistance:	500 megohms min.@500 VDC.
Dielectric strength:	1500 VAC RMS 60Hz,1min.

4-3-5 Environmental:

Operating temperature: 0°C~+70°C

Storage temperature: -40°C~+85°C

Mates with modular plug conforming to fcc pact 68.

4-3-6 Applicable printed circuit board

The product is designed to meet the electrical, mechanical and environmental performance requirements specified in product drawing

7F-2.No.783,SEC.4,BADERD.,SONGSHAN DIST.,TAIPEI CITY 10567,TAIWAN(R.O.C)

Tel: 02-2742-1798#608 Fax: 02-2742-1898

Email: ryan@wisconn.com.tw

Web Site: <http://www.wisconn.com.tw>

Y KUEQP P "VGEJ P QNQI ['EQ0NVF

SPECIFICATION FOR APPROVAL

CUSTOMER PART NO.:

WISCONN PART NO.: WIS9759-A8N1000-006

PRODUCT DESCRIPTION.: 10/100 Base-T RJ45, 1X1 TabDown w/Transformer and w/oLED

TEMP(°C):25

HUM(%):65 RH

REV:A

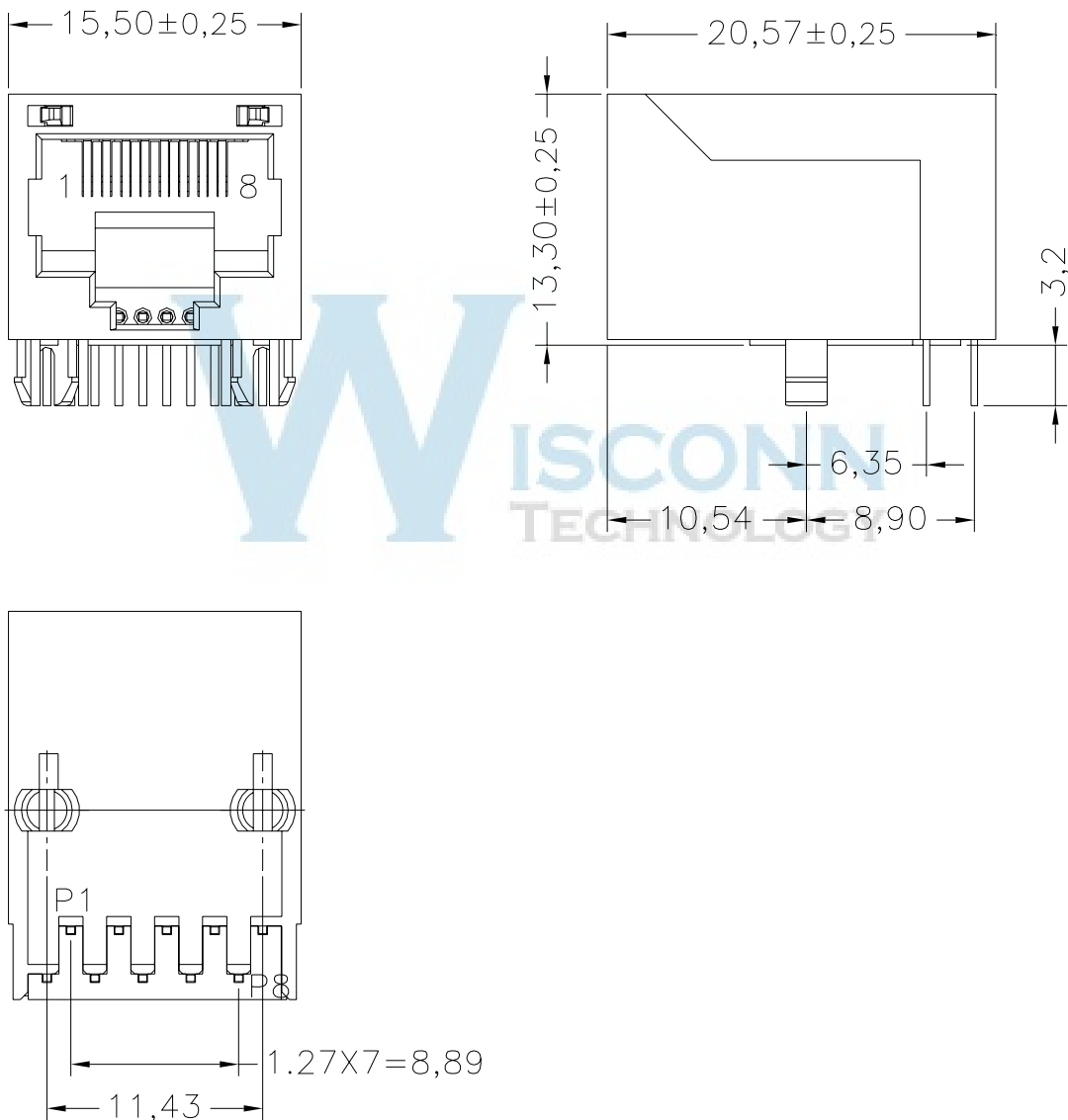
5. MECHANICAL DIMENSION AND LABEL

TOLERANCE(mm):

.0 ± 0.20

.00 ± 0.15

.000 ± 0.075



7F-2.No.783,SEC.4,BADERD.,SONGSHAN DIST.,TAIPEI CITY 10567,TAIWAN(R.O.C)

Tel: 02-2742-1798#608

Fax: 02-2742-1898

Email: ryan@wisconn.com.tw

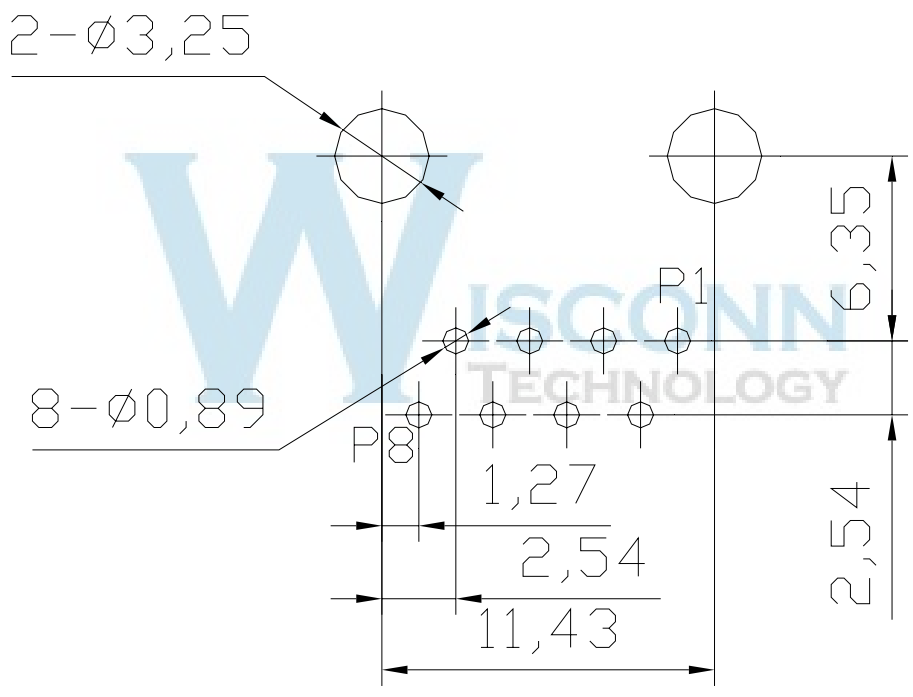
Web Site: <http://www.wisconn.com.tw>

Y KUEQP P "VGEJ P QNQI ["EQ0NVF

SPECIFICATION FOR APPROVAL

CUSTOMER PART NO.:	TEMP(°C):25
WISCONN PART NO.: WIS9759-A8N1000-006	HUM(%):65 RH
PRODUCT DESCRIPTION.: 10/100 Base-T RJ45, 1X1 TabDown w/Transformer and w/oLED	REV:A

6. RECOMMENDED PCB LAYOUT: UNIT: (mm)



Y KUEQP P "VGEJ P QNQI ['EQ0NVF

SPECIFICATION FOR APPROVAL

CUSTOMER PART NO.:

WISCONN PART NO.: WIS9759-A8N1000-006

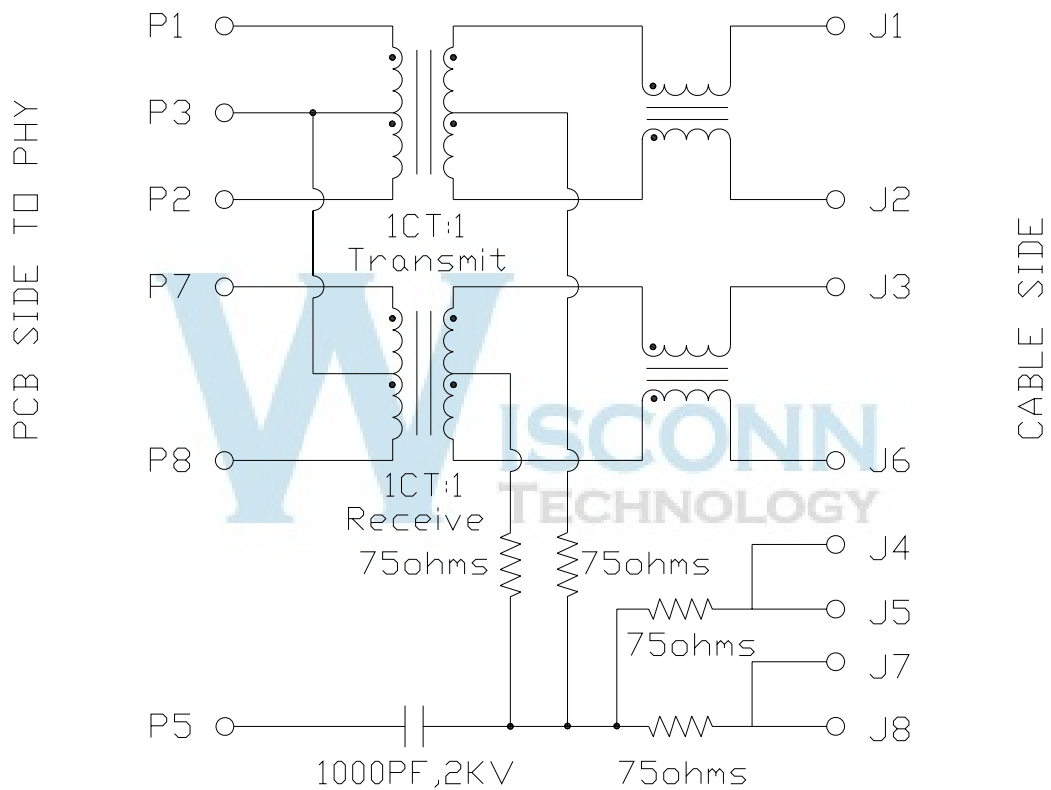
PRODUCT DESCRIPTION.: 10/100 Base-T RJ45, 1X1 TabDown w/Transformer and w/oLED

TEMP(°C):25

HUM(%):65 RH

REV:A

7. CIRCUIT SCHEMATIC



7F-2.No.783,SEC.4,BADERD.,SONGSHAN DIST.,TAIPEI CITY 10567,TAIWAN(R.O.C)

Tel: 02-2742-1798#608

Fax: 02-2742-1898

Email: ryan@wisconn.com.tw

Web Site: <http://www.wisconn.com.tw>

Y KUEQP P "VGEJ P QNQI ['EQ0NVF

SPECIFICATION FOR APPROVAL

CUSTOMER PART NO.:	TEMP(°C):25
WISCONN PART NO.: WIS9759-A8N1000-006	HUM(%):65 RH
PRODUCT DESCRIPTION.: 10/100 Base-T RJ45, 1X1 TabDown w/Transformer and w/oLED	REV:A

9. ELECTRICAL CHARACTERISTICS

9-1 Turn Ratio: TP1-4 1CT:1CT(±3%)

9-2 Primary Inductance: 350μH Min. @100kHz,0.1Vrms,8mADC BIAS

9-3 Hi-POT TEST: 1500Vrms

9-4 TRANSMITTER FILTER

Type: Balance Low Pass 100 Ohm Impedance Nom

Insertion Loss: 0.5~100 MHz 1.0dB MAX.

Return Loss: 0.5~40 MHZ 18dB MIN

40~80 MHZ 12-20LOG(f/80)dB MIN

9-5 CROSS TALK: 0.5~40 MHz 35dB MIN.

40~100 MHZ 33-20LOG(f/50)dB MIN.

9-6 CM TO CM REJECTION:

0.5~100 MHz 30dB MIN.

9-7 CM TO DM REJECTION:

0.5~100MHz 30dB MIN

*ROSH compliant

*OPERATING TEMPERATURE: 0°C~70°C

*STORAGE TEMPERATURE: -40°C~85°C

7F-2.No.783,SEC.4,BADERD.,SONGSHAN DIST.,TAIPEI CITY 10567,TAIWAN(R.O.C)

Tel: 02-2742-1798#608 Fax: 02-2742-1898

Email: ryan@wisconn.com.tw

Web Site: <http://www.wisconn.com.tw>

Y KUEQP P "VGEJ P QNQI ['EQ0NVF

SPECIFICATION FOR APPROVAL

CUSTOMER PART NO.:

WISCONN PART NO.: WIS9759-A8N1000-006

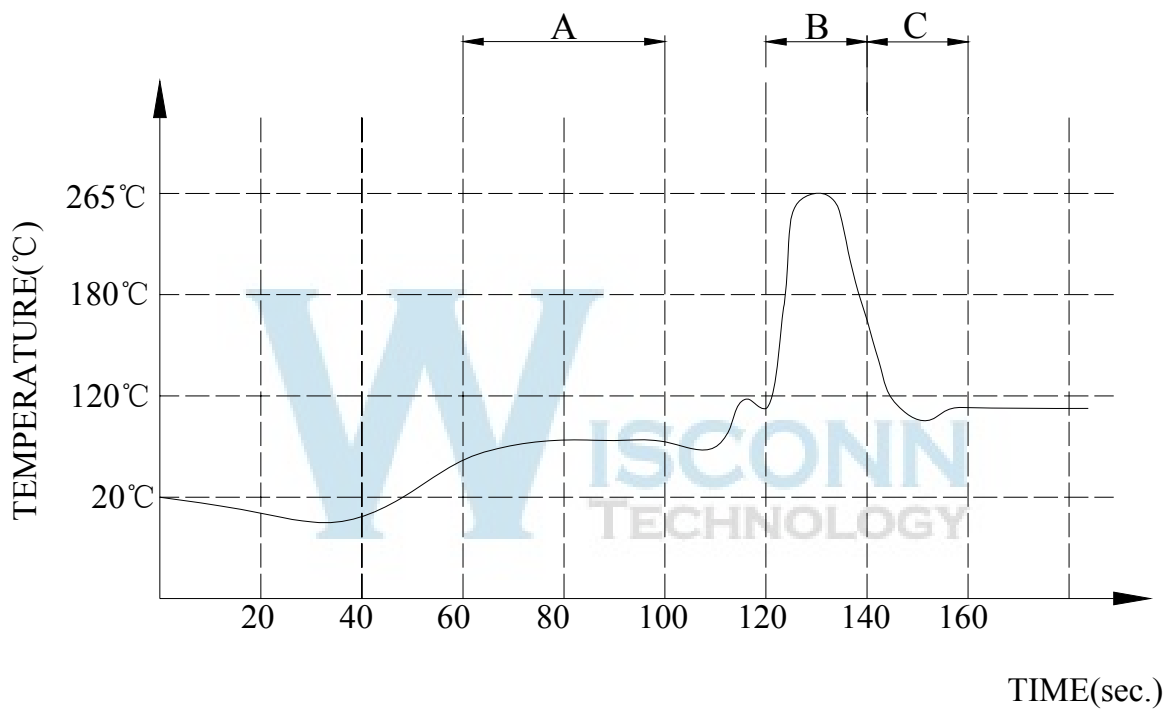
PRODUCT DESCRIPTION.: 10/100 Base-T RJ45, 1X1 TabDown w/Transformer and w/oLED

TEMP(°C):25

HUM(%):65 RH

REV:A

10. PROFILE OF WAVE SOLDER



———— PIN TEMPERATURE

----- COMPONENT TEMPERATURE

A:Preheating B:Soldering C:Gradual Cooling

Notes:

- (1) Tip temperature :260±5°C
- (2) Tip temperature time: 5sec. max
- (3) The melting point of tin : 219°C

7F-2.No.783,SEC.4,BADERD.,SONGSHAN DIST.,TAIPEI CITY 10567,TAIWAN(R.O.C)

Tel: 02-2742-1798#608 Fax: 02-2742-1898

Email: ryan@wisconn.com.tw

Web Site: <http://www.wisconn.com.tw>

Y KUEQP P "VGEJ P QNQI ['EQ0NVF

SPECIFICATION FOR APPROVAL

CUSTOMER PART NO.:				TEMP(°C):25	
WISCONN PART NO.: WIS9759-A8N1000-006				HUM(%):65 RH	
PRODUCT DESCRIPTION.: 10/100 Base-T RJ45, 1X1 TabDown w/Transformer and w/oLED				REV:A	
11. MATERIAL LIST					
NO	NAME	MATERIAL SPEC	UL CERTIFICATION APPROVED	SUPPLER OF THE MATERIAL	RoHS6 COMPLIANCE
1	HOUSING	PA46+30GF%	UL94V-0	JIAN JIA	YES
2	CONTACT	PHOSPHOR BRONZE.0.35mm THICKNESS .		SHEN BEI	YES
3	PCB	FR-4	UL94V-0	QI XIANG	YES
4	MAGNETIC CORE	F5D T3.05*1.78*2.06-P F1KT2.54*1.27*1.27-P		SHEN ZHEN KRY	YES
5	PIN	PHOSPHOR BRONZE.0.35mm		XING TONG	YES
6	SILICONE	RTV-SR-S322	UL94V-0	PAN HONG	YES
7	WIRE	RED/GREEN/BLUE/NATURE		SUNTEK	YES
8	NO Pb AND TIN	SN99.3 CU0.7		JU TAI	YES

7F-2.No.783,SEC.4,BADERD.,SONGSHAN DIST.,TAIPEI CITY 10567,TAIWAN(R.O.C)

Tel: 02-2742-1798#608 Fax: 02-2742-1898

Email: ryan@wisconn.com.tw

Web Site: <http://www.wisconn.com.tw>

WISCONN TECHNOLOGY CO.,LTD

SPECIFICATION FOR APPROVAL

CUSTOMER PART NO.:

WISCONN PART NO.: WIS9759-A8N1000-006

PRODUCT DESCRIPTION.: 10/100 Base-T RJ45, 1X1 TabDown w/Transformer and w/oLED

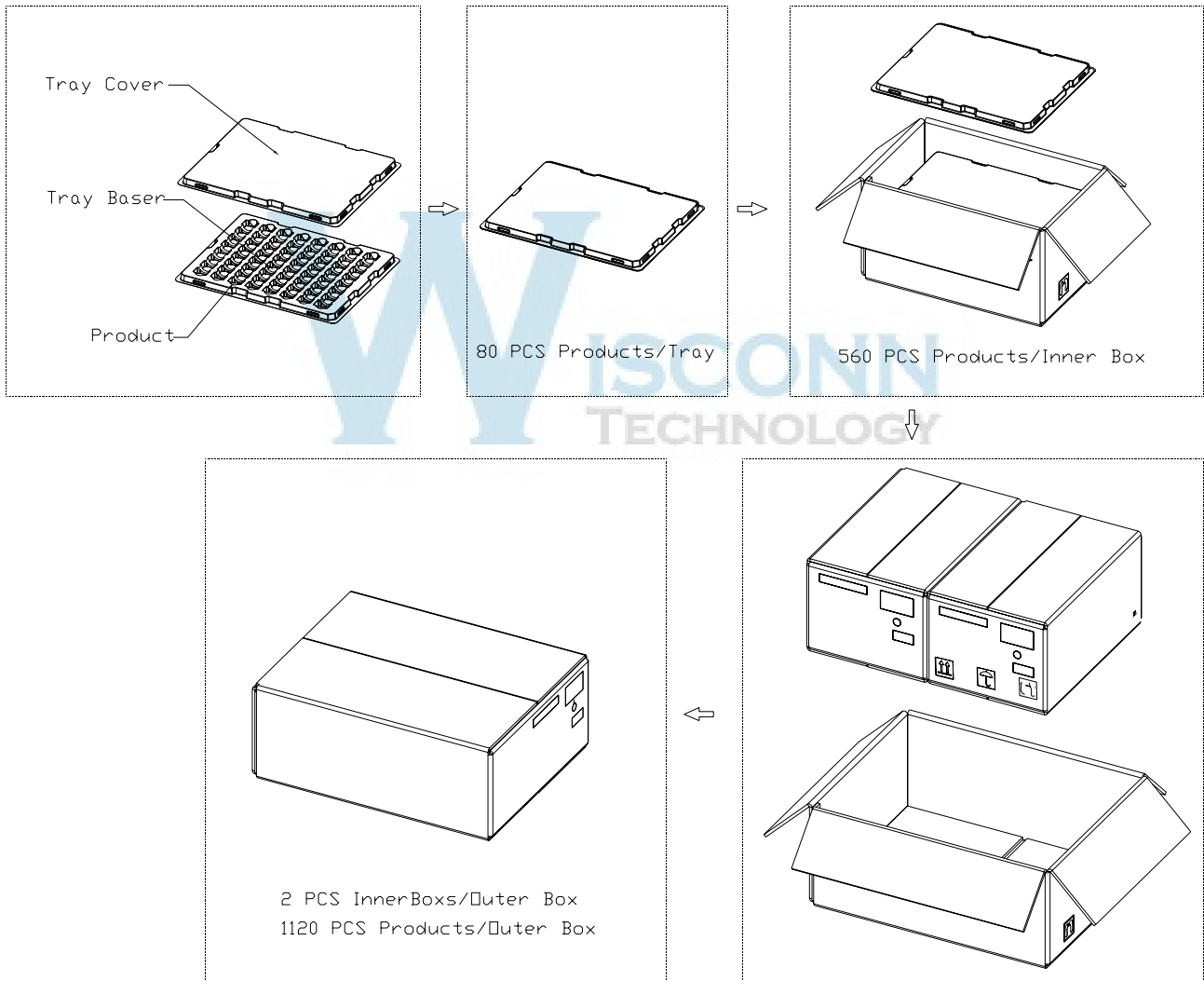
TEMP(°C):25

HUM(%):65 RH

REV:A

12. PACKAGE

80 PCS/TRAY
560 PCS/INNER BOX
1120 PCS/OUTER BOX



7F-2.No.783,SEC.4,BADERD.,SONGSHAN DIST.,TAIPEI CITY 10567,TAIWAN(R.O.C)

Tel: 02-2742-1798#608

Fax: 02-2742-1898

Email: ryan@wisconn.com.tw

Web Site: <http://www.wisconn.com.tw>