

WISCONN TECHNOLOGY CO., LTD

SPECIFICATION FOR APPROVAL

PART NO.: WIS9759-B741100-4A3

PRODUCT DESCRIPTION.: 10/100/1000 Base-T RJ45, 1X1 TabUp w/Transformer and w/LED

REV:A

WISCONN

MARKETING GROUP	R&D GROUP	QA GROUP
ISSUED BY	CHECKED BY	QA INSPECTION
Tony Zheng	Victor Ran	Zheng Chen

CUSTOMER: _____

CUSTOMER PART NO.: _____

SAMPLE Q'TY: _____

CUSTOMER

CUSTOMER APPROVAL:

APPROVAL

CONCESSIONARY

REJECTED

ISSUED BY	CHECKED BY	APPROVED BY

COMMENTS:

7F-2.No.783,SEC.4,BADERD.,SONGSHAN DIST.,TAIPEI CITY 10567,TAIWAN(R.O.C)

Tel: 02-2742-1798#608 Fax: 02-2742-1898

Email: ryan@wisconn.com.tw

Web Site: <http://www.wisconn.com.tw>

WISCONN TECHNOLOGY CO., LTD

SPECIFICATION FOR APPROVAL

CUSTOMER PART NO.:	TEMP(°C):25
WISCONN PART NO.: WIS9759-B741100-4A3	HUM(%):65 RH
PRODUCT DESCRIPTION.: 10/100/1000 Base-T RJ45, 1X1 TabUp w/Transformer and w/LED	REV:A
CONTENT	
	T TOTAL 12 PAGES
1. COVER PAGE	PAGE 1 OF 12
2. CONTENT	PAGE 2 OF 12
3. REVISION CHANGE RECORD	PAGE 3 OF 12
4. SPECIFICATION AND PERFORMANCE	PAGE 4 OF 12
5. MECHANICAL DIMENSION AND LABEL	PAGE 5 OF 12
6. RECOMMENDED PCB LAYOUT	PAGE 6 OF 12
7. CIRCUIT SCHEMATIC	PAGE 7 OF 12
8. LED ELECTRICAL / OPTICAL CHARACTERISTICS	PAGE 8 OF 12
9. ELECTRICAL CHARACTERISTICS	PAGE 9 OF 12
10. PROFILE OF WAVE SOLDER	PAGE 10 OF 12
11. MATERIAL LIST	PAGE 11 OF 12
12. PACKAGE	PAGE 12 OF 12

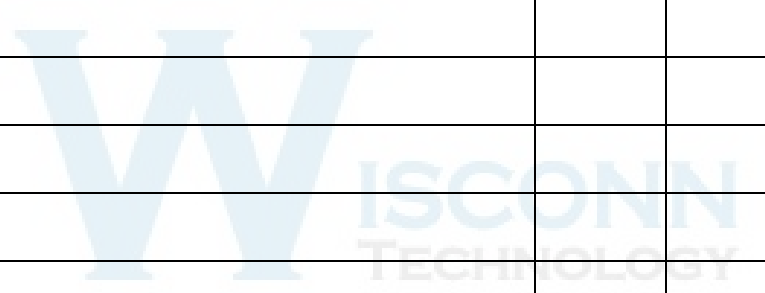
WISCONN TECHNOLOGY CO., LTD

SPECIFICATION FOR APPROVAL

CUSTOMER PART NO.:	TEMP(°C):25
PART NO.: WIS9759-B741100-4A3	HUM(%):65 RH
PRODUCT DESCRIPTION.: 10/100/1000 Base-T RJ45, 1X1 TabUp w/Transformer and w/LED	REV:A

3. REVISION CHANGE RECORD

REV	Description	Drawn	Checked	Approved	Issue Date
A	Specification issued	Tony	Victor	Victor	2011/8/24



WISCONN TECHNOLOGY CO., LTD

SPECIFICATION FOR APPROVAL

CUSTOMER PART NO.:	TEMP(°C):25
WISCONN PART NO.: WIS9759-B741100-4A3	HUM(%):65 RH
PRODUCT DESCRIPTION.: 10/100/1000 Base-T RJ45, 1X1 TabUp w/Transformer and w/LED	REV:A

4. SPECIFICATION AND PERFORMANCE

4-1 Scope

This specification covers the requirements for product performance, tests and quality assurance provisions for TRANSFORMER JACK

4-2 Applicable document

The following documents form a part of this specification to the extent specified herein. In the event of conflict between the requirements of this specification and the product drawing shall take precedence

4-3 Requirements

4-3-1 Design and construction

Product shall be of the design, construction and physical dimensions specified on the applicable product drawing
Complies with IEEE standards and all 10/100/1000 Ethernet

4-3-2 Materials and finish

Housing:	Nylon46(Glass filed polyester UL94V-0)
Contact:	Phosphor Bronze t=0.35mm FLAT PIN
Plating:	30U" gold plating over nickel
Shield:	0.20mm thickness copper alloy with nickel plated
PCB retention pre-solder:	1LB min.
PCB retention post-solder:	10 LBS min.
Tails:	150U"~200U" Tin-Lead min. over 30U" ~50U" nickel(RoHS6)

4-3-3 Mechanical characteristics:

Durability:750(modular jack) insertion/plug dimension cycles at min. rate of 120 cycles per minute

4-3-4 Electrical

Current rating:	1.5AMP
Voltage rating:	125VAC max.
Contact resistance:	30 milliohms max.@500 VDC.
Insulation resistance:	500 megohms min.@500 VDC.
Dielectric strength:	1500 VAC RMS 60Hz,1min.

4-3-5 Environmental:

Operating temperature: 0°C~+70°C

Storage temperature: -40°C~+85°C

Mates with modular plug conforming to fcc pact 68.

4-3-6 Applicable printed circuit board

The product is designed to meet the electrical, mechanical and environmental performance requirements specified in product drawing

7F-2.No.783,SEC.4,BADERD.,SONGSHAN DIST.,TAIPEI CITY 10567,TAIWAN(R.O.C)

Tel: 02-2742-1798#608 Fax: 02-2742-1898

Email: ryan@wisconn.com.tw

Web Site: <http://www.wisconn.com.tw>

WISCONN TECHNOLOGY CO., LTD

SPECIFICATION FOR APPROVAL

CUSTOMER PART NO.:

WISCONN PART NO.: WIS9759-B741100-4A3

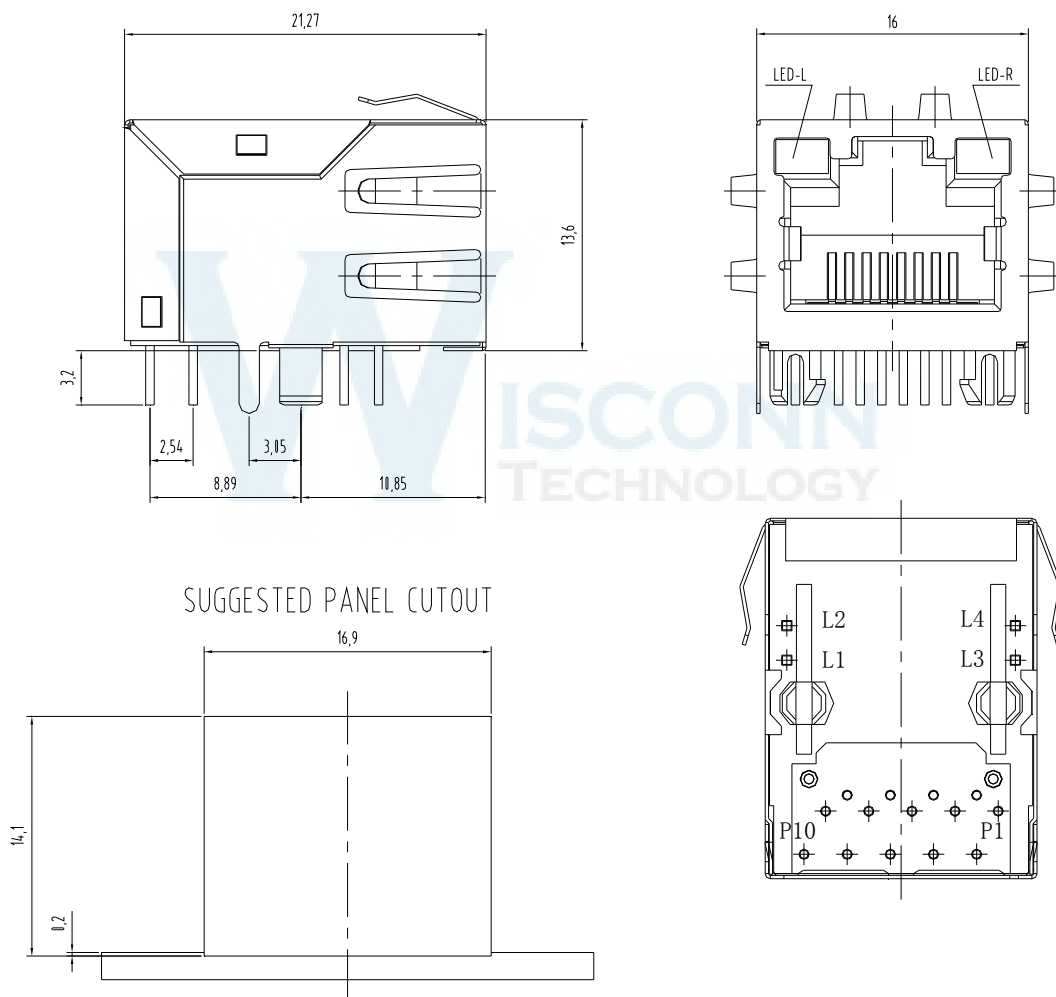
PRODUCT DESCRIPTION.: 10/100/1000 Base-T RJ45, 1X1 TabUp w/Transformer and w/LED

TEMP(°C):25

HUM(%):65 RH

REV:A

5. MECHANICAL DIMENSION AND LABEL



7F-2.No.783,SEC.4,BADERD.,SONGSHAN DIST.,TAIPEI CITY 10567,TAIWAN(R.O.C)

Tel: 02-2742-1798#608 Fax: 02-2742-1898

Email: ryan@wisconn.com.tw

Web Site: <http://www.wisconn.com.tw>

WISCONN TECHNOLOGY CO., LTD

SPECIFICATION FOR APPROVAL

CUSTOMER PART NO.:

WISCONN PART NO.: WIS9759-B741100-4A3

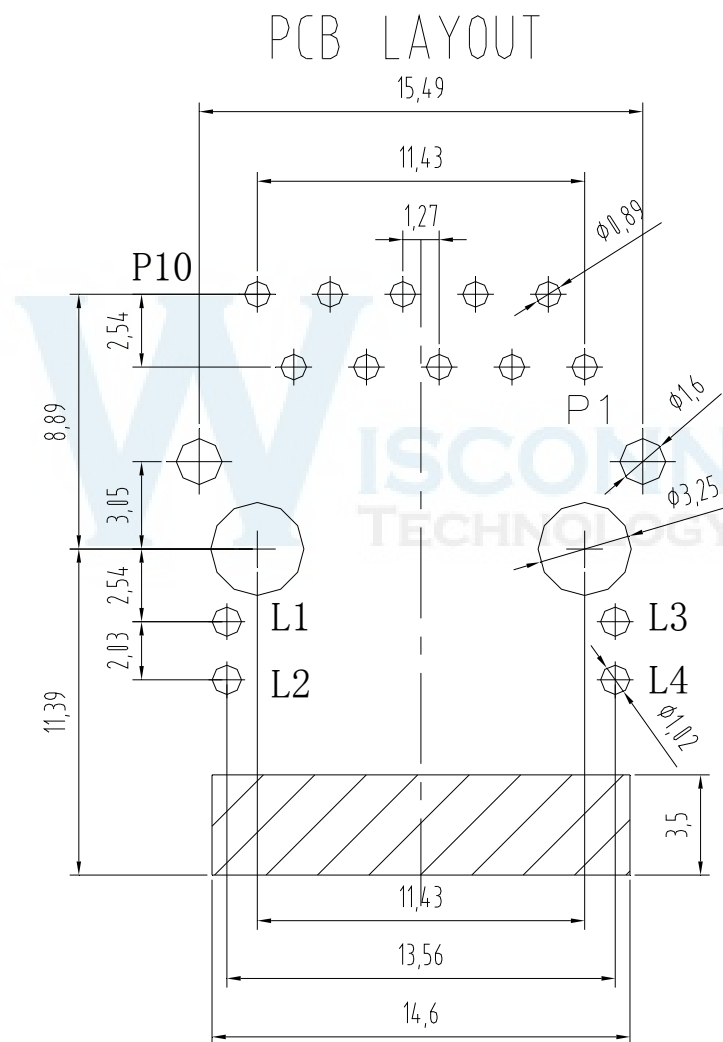
PRODUCT DESCRIPTION.: 10/100/1000 Base-T RJ45, 1X1 TabUp w/Transformer and w/LED

TEMP(°C):25

HUM(%):65 RH

REV:A

6. RECOMMENDED PCB LAYOUT: UNIT: (mm)



7F-2.No.783,SEC.4,BADERD.,SONGSHAN DIST.,TAIPEI CITY 10567,TAIWAN(R.O.C)

Tel: 02-2742-1798#608 Fax: 02-2742-1898

Email: ryan@wisconn.com.tw

Web Site: <http://www.wisconn.com.tw>

WISCONN TECHNOLOGY CO., LTD

SPECIFICATION FOR APPROVAL

CUSTOMER PART NO.:

WISCONN PART NO.: WIS9759-B741100-4A3

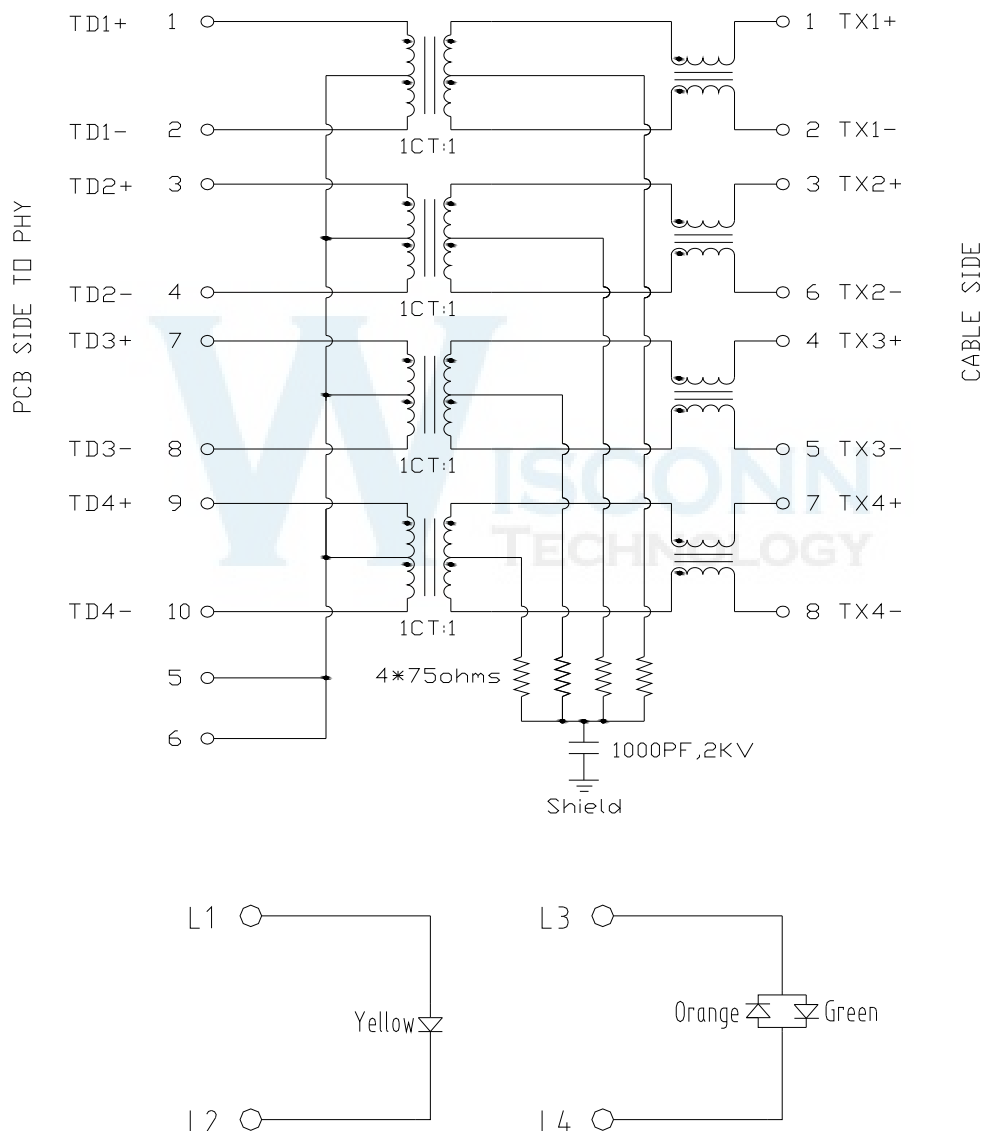
PRODUCT DESCRIPTION.: 10/100/1000 Base-T RJ45, 1X1 TabUp w/Transformer and w/LED

TEMP(°C):25

HUM(%):65 RH

REV:A

7. CIRCUIT SCHEMATIC



7F-2.No.783,SEC.4,BADERD.,SONGSHAN DIST.,TAIPEI CITY 10567,TAIWAN(R.O.C)

Tel: 02-2742-1798#608 Fax: 02-2742-1898

Email: ryan@wisconn.com.tw

Web Site: <http://www.wisconn.com.tw>

WISCONN TECHNOLOGY CO., LTD

SPECIFICATION FOR APPROVAL

CUSTOMER PART NO.:

PART NO.: WIS9759-B741100-4A3

PRODUCT DESCRIPTION.: 10/100/1000 Base-T RJ45, 1X1 TabUp w/Transformer and w/LED

TEMP(°C):25

HUM(%):65 RH

REV:A

8. LED ELECTRICAL / OPTICAL CHARACTERISTICS:

Dice	Lens Type	Iv (mcd) @20 mA		Viewing Angle
		Min.	Typ.	2θ 1/2
Pure Orange (GaAsP/ Gap)	White Diffused	2.6	6	100°
Green (Gap)		5	10	100°
Yellow(Gap)	Yellow Diffused	3	6	

Parameter	Device	Typ.	Max.	Units	Test Conditions
Dominate Wavelength	Green	568 λ d	575 λ d	nm	IF=20mA
	Pure Orange	585 λ d	615 λ d	nm	IF=20mA
	Yellow	585 λ d	615 λ d	nm	IF=20mA
Forward Voltage	Green	2.2	2.5	v	IF=20mA
	Pure Orange	2.1	2.5	v	IF=20mA
	Yellow	2.2	2.5	v	IF=20mA
Reverse Current	Green		10	uA	V _R =5V
	Pure Orange		10	uA	V _R =5V
	Yellow		10	uA	V _R =5V
Power Dissipation	Green		62.5	mW	V _R =5V
	Pure Orange		75	mW	V _R =5V
	Yellow		62.5	mW	V _R =5V

7F-2.No.783,SEC.4,BADERD.,SONGSHAN DIST.,TAIPEI CITY 10567,TAIWAN(R.O.C)

Tel: 02-2742-1798#608 Fax: 02-2742-1898

Email: ryan@wisconn.com.tw

Web Site: <http://www.wisconn.com.tw>

WISCONN TECHNOLOGY CO., LTD

SPECIFICATION FOR APPROVAL

CUSTOMER PART NO.:

WISCONN PART NO.: WIS9759-B741100-4A3

PRODUCT DESCRIPTION.: 10/100/1000 Base-T RJ45, 1X1 TabUp w/Transformer and w/LED

TEMP(°C):25

HUM(%):65 RH

REV:A

9. ELECTRICAL CHARACTERISTICS

9-1 Turn Ratio: TP1-4 1CT:1CT($\pm 3\%$)

9-2 Primary Inductance: 350 μ H Min. @100kHz,0.1Vrms,8mADC BIAS

9-3 Hi-POT TEST: TP1-4 1500Vrms

9-4 TRANSMITTER FILTER

Type: Balance Low Pass 100 Ohm Impedance Nom

Insertion Loss: 0.5~100 MHz 1.0dB MAX.

Return Loss: 0.5~40 MHz 18dB MIN

40~100 MHz 12-20LOG(f/80)dB MIN

9-5 CROSS TALK: 0.5~40 MHz 35dB MIN.

40~100 MHz 33-20LOG(f/50)dB MIN.

9-6 CM TO CM REJECTION:

0.5~100 MHz 35dB MIN.

7F-2.No.783,SEC.4,BADERD.,SONGSHAN DIST.,TAIPEI CITY 10567,TAIWAN(R.O.C)

Tel: 02-2742-1798#608 Fax: 02-2742-1898

Email: ryan@wisconn.com.tw

Web Site: <http://www.wisconn.com.tw>

WISCONN TECHNOLOGY CO., LTD

SPECIFICATION FOR APPROVAL

CUSTOMER PART NO.:

WISCONN PART NO.: WIS9759-B741100-4A3

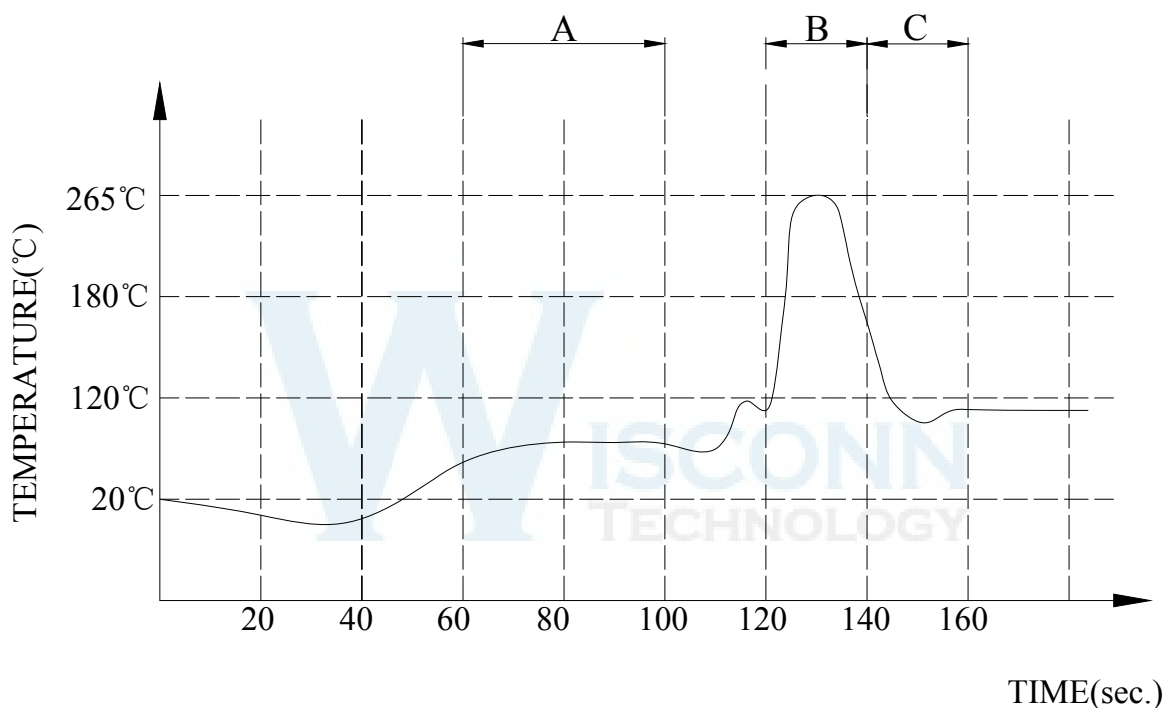
PRODUCT DESCRIPTION.: 10/100/1000 Base-T RJ45, 1X1 TabUp w/Transformer and w/LED

TEMP(°C):25

HUM(%):65 RH

REV:A

10. PROFILE OF WAVE SOLDER



———— PIN TEMPERATURE

----- COMPONENT TEMPERATURE

A:Preheating B:Soldering C:Gradual Cooling

Notes:

- (1) Tip temperature :260±5°C
- (2) Tip temperature time: 5sec. max
- (3) The melting point of tin : 219°C

7F-2.No.783,SEC.4,BADERD.,SONGSHAN DIST.,TAIPEI CITY 10567,TAIWAN(R.O.C)

Tel: 02-2742-1798#608 Fax: 02-2742-1898

Email: ryan@wisconn.com.tw

Web Site: <http://www.wisconn.com.tw>

WISCONN TECHNOLOGY CO., LTD

SPECIFICATION FOR APPROVAL

CUSTOMER PART NO.:	TEMP(°C):25
WISCONN PART NO.: WIS9759-B741100-4A3	HUM(%):65 RH
PRODUCT DESCRIPTION.: 10/100/1000 Base-T RJ45, 1X1 TabUp w/Transformer and w/LED	REV:A

11. MATERIAL LIST

NO	NAME	MATERIAL SPEC	UL CERTIFICATION APPROVED	SUPPLER OF THE MATERIAL	RoHS6 COMPLIANCE
1	HOUSING	PA46+30GF%	UL94V-0	YILONG	YES
2	SHIELDING	COPPER ALLOY .0.2mm THICKNESS .		SHENGYANG TONGYE	YES
3	CONTACT	PHOSPHOR BRONZE.0.35mm THICKNESS .		JINGYING	YES
4	PCB	12.5*11.0*0.60mm	UL94V-0	HENGTAIDA	YES
5	MAGNETIC CORE	F5D T3.05*1.78*2.06-P F1KT2.54*1.27*1.27-P		JR	YES
6	PIN	PHOSPHOR BRONZE.0.35mm		JINGYING	YES
7	VARNISHES	Hi-THERM BC-346A DOLPH'S T-100	UL94V-0	JIAXING	YES
8	WIRE	RED/GREEN/BLUE/NATURE		RONGXING	YES
9	NO Pb TIN	SN99.3 CU0.7		AJIAFA	YES

7F-2.No.783,SEC.4,BADERD.,SONGSHAN DIST.,TAIPEI CITY 10567,TAIWAN(R.O.C)

Tel: 02-2742-1798#608 Fax: 02-2742-1898

Email: ryan@wisconn.com.tw

Web Site: <http://www.wisconn.com.tw>

WISCONN TECHNOLOGY CO., LTD

SPECIFICATION FOR APPROVAL

CUSTOMER PART NO.:

WISCONN PART NO.: WIS9759-B741100-4A3

PRODUCT DESCRIPTION.: 10/100/1000 Base-T RJ45, 1X1 TabUp w/Transformer and w/LED

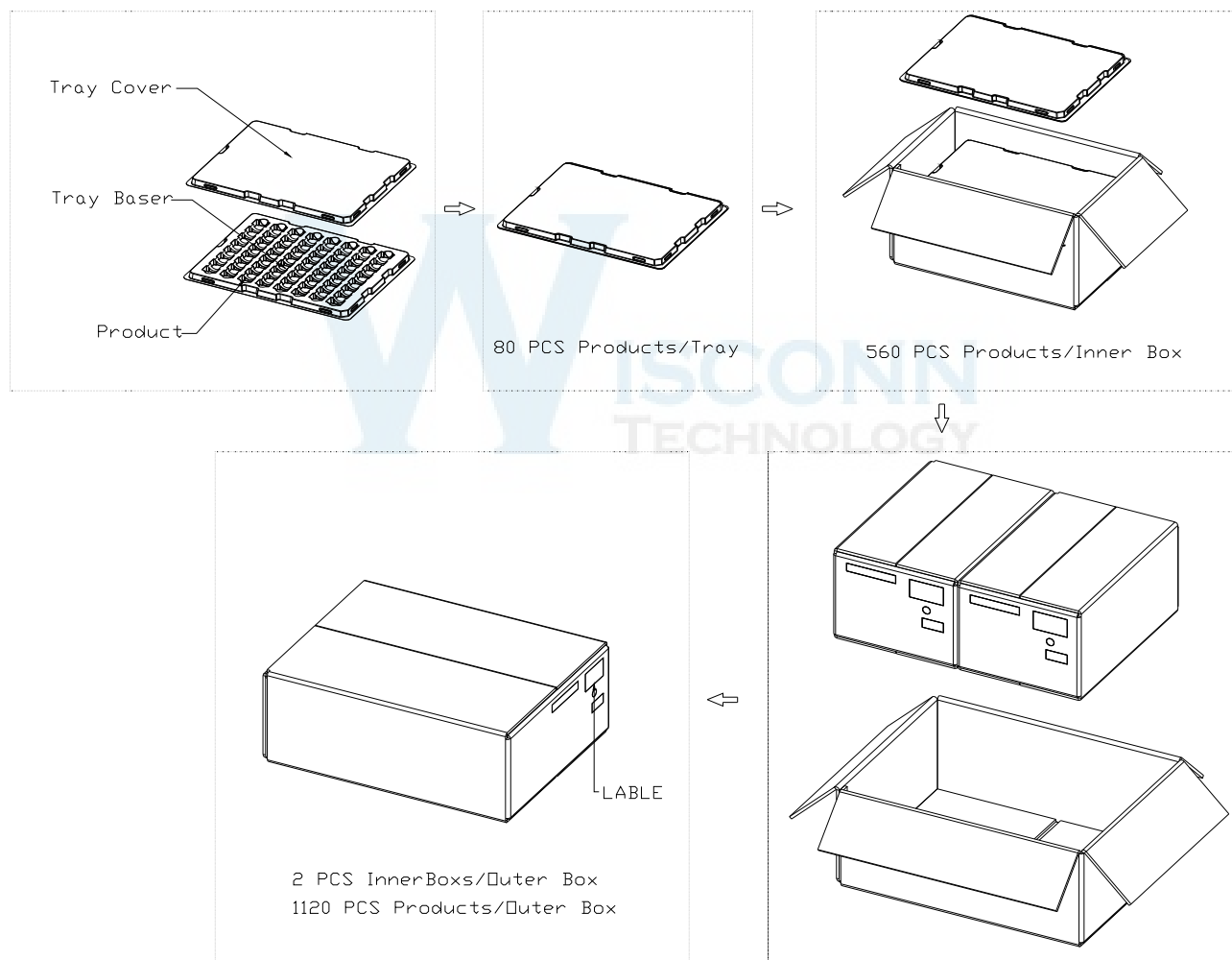
TEMP(°C):25

HUM(%):65 RH

REV:A

12. PACKAGE

80 PCS/TRAY
560 PCS/INNER BOX
1120 PCS/OUTER BOX



7F-2.No.783,SEC.4,BADERD.,SONGSHAN DIST.,TAIPEI CITY 10567,TAIWAN(R.O.C)

Tel: 02-2742-1798#608 Fax: 02-2742-1898

Email: ryan@wisconn.com.tw

Web Site: <http://www.wisconn.com.tw>