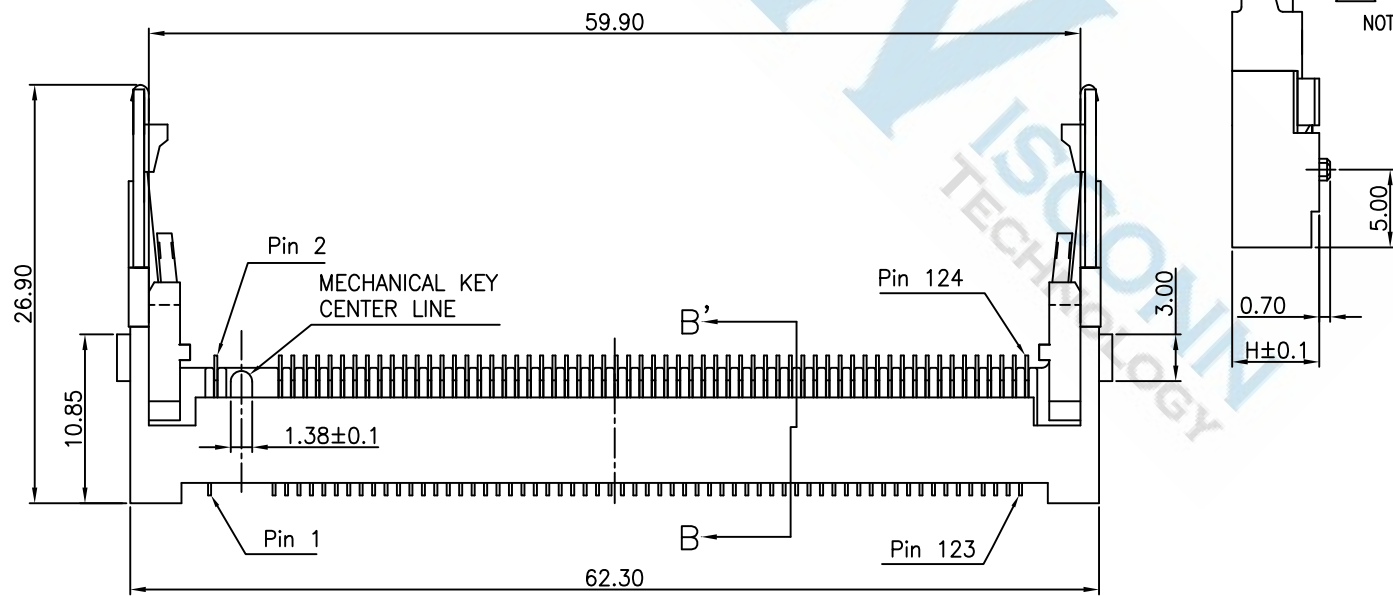


B-B' SECTION

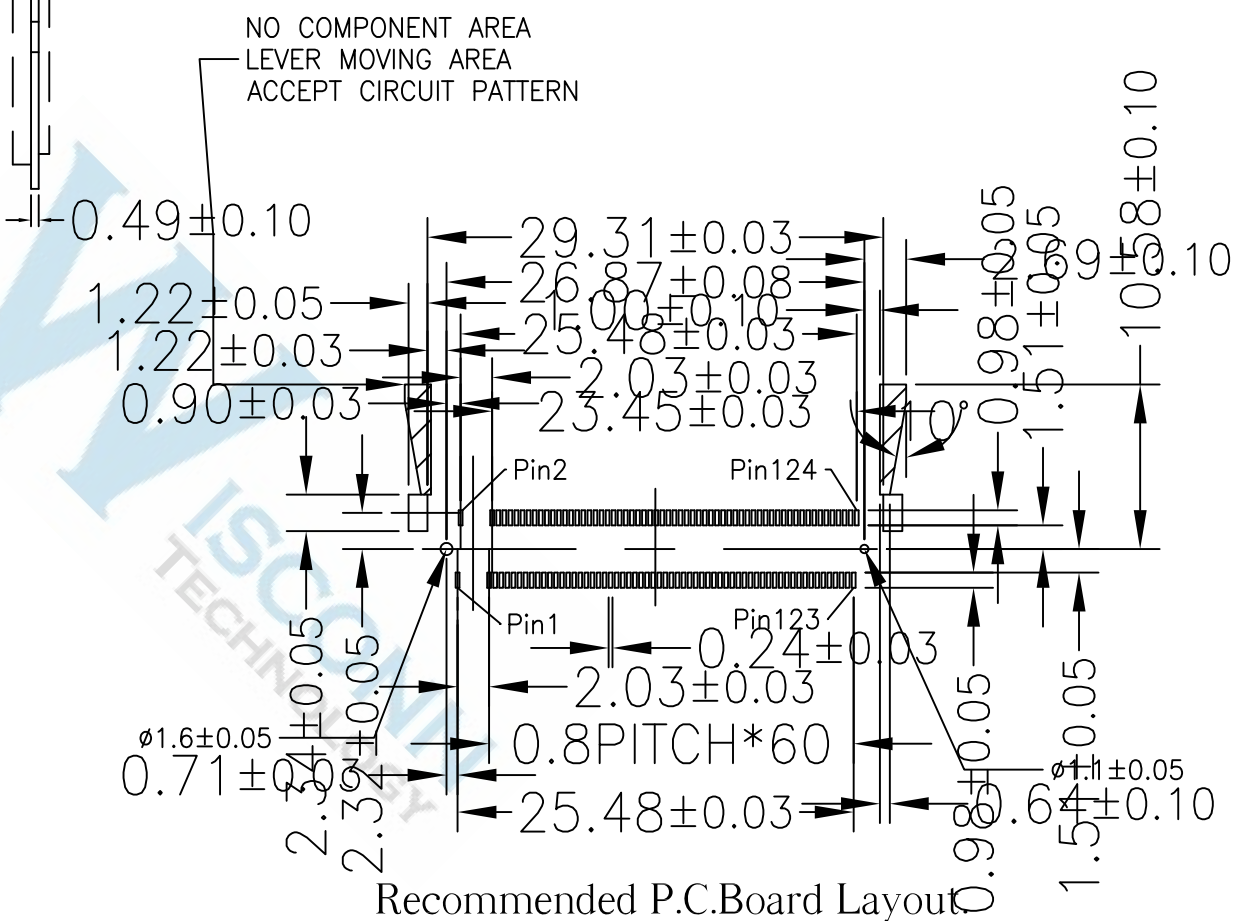
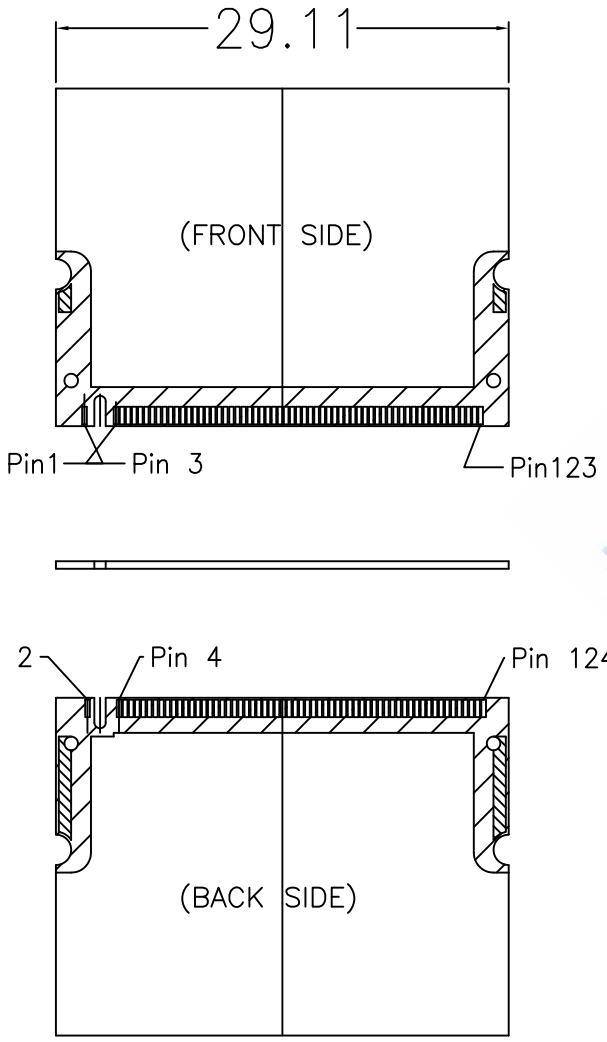
P/N	STAND-OFF (mm)					
	H	A	B	C	D	E
WMPCI-XXA-052-X	5.2	2.74	0.1	3.30	0.85	1.40
WMPCI-XXA-056-X	5.6	3.14	0.5	3.70		
WMPCI-XXA-060-X	6.0	3.54	0.9	4.10		
WMPCI-XXA-068-X	6.8	4.34	1.7	4.90		
WMPCI-XXA-080-X	8.0	5.52	0.3	6.08	0.93	1.51
WMPCI-XXA-092-X	9.2	6.74	0.3	7.30		

- NOTES: 1. MATERIAL:
 1-1 HOUSING: HIGH TEMPERATURE THERMO PLASTIC UL94V-0 RATED, COLOR SEE SEE P/N
 1-2 CONTACT: COPPER ALLOY.
 1-3 SOLDER TAB & LATCH: COPPER ALLOY
 2. CONTACT FINISH:
 2-1 GOLD PLATING ON CONTACT AREA, SEE P/N
 2-2 GOLD FLASH ON SOLDERING AREA
 2-3 ALL OVER 40u" MIN. NICKEL UNDER PLATED
 3. LAYOUT DWG. No.: P-AKE-1
 4. GENERAL TOLERANCE: ±0.3
 5. PACKING: SEE P/N
 6. PART NUMBER: WMPCI-XXA-OXX-X



- COLOR OF HOUSING
 A: IVORY
 B: BLACK
- CONTACT PLATING
 0: GOLD FLASH
 1: 5u" GOLD
 2: 30u" GOLD
 3: 3u" GOLD
 4: 10u" GOLD
 5: 15u" GOLD
- PACKING
 1: TRAY
 3: TAPE & REEL
- PRODUCT HEIGHT
 052: 5.2 MM HEIGHT
 056: 5.6 MM HEIGHT
 060: 6.0 MM HEIGHT
 068: 6.8 MM HEIGHT
 080: 8.0 MM HEIGHT
 092: 9.2 MM HEIGHT
- SOLDER TAB & LATCH STRUCTURE (PLATING)
 A: NORMAL (LEAD FREE)

DIMENSIONS TOLERANCE METRIC .0=±0.30 .00=±0.20 .000=±0.10 ANG.=±2°	單位(UNITS)	MM	處理(FINISH)	SEE NOTE	審核(CH'K)	Calvin	圖名(NAME) MINI PCI CONNECTOR 0.8mm Pitch 124 PIN 5.2/5.6/6.0/6.8/8.0/9.2mm Height	WISCONN Technology Co., Ltd Tel:02-2742-1798 Fax:02-2742-1898									
	數量(QT'Y)	N/A	繪圖(DRAW)	Johnson	核准(APP'D)	Selena							料號(PART NUMBER)	WMPCI-XXA-OXX-X			
	材料(MT'L)	SEE NOTE	設計(DE'N)	Mike	日期 DATE)	OCT.15.2007	圖號(DRAW NUMBER)						T016	圖檔(FILE NAME .DWG)		比例(SCALE)	1/1



Recommended Module Configuration.
(FOR Mini PCI H: 5.2, 5.6, 6.0, 8.0, 9.2mm)

DIMENSIONS TOLERANCE METRIC .0=±0.30 .00=±0.20 .000=±0.10 ANG.=±2°	單位(UNITS)	MM	處理(FINISH)	SEE NOTE	審核(CH'K)	Calvin	圖名(NAME) MINI PCI CONNECTOR 0.8mm Pitch 124 PIN 5.2/5.6/6.0/6.8/8.0/9.2mm Height		WISCONN Technology Co., Ltd Tel:02-2742-1798 Fax:02-2742-1898								
	數量(QT'Y)	N/A	繪圖(DRAW)	Johnson	核准(APP'D)	Selena	料號(PART NUMBER)	WMPCI-XXA-0XX-X		比例(SCALE)	1/1	圖紙(SIZE)	A4	頁次(SHEET)	1	版次(REV.)	A
	材料(MT'L)	SEE NOTE	設計(DE'N)	Mike	日期 DATE)	OCT.15.2007	圖號(DRAW NUMBER)	T016									
							圖檔(FILE NAME .DWG)										