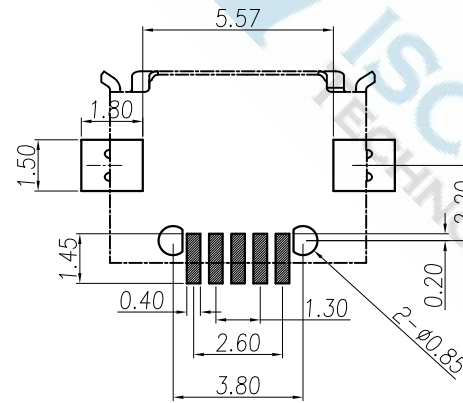
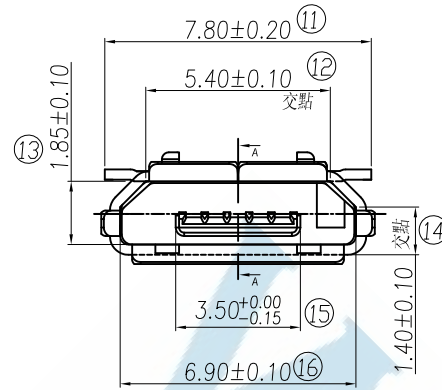
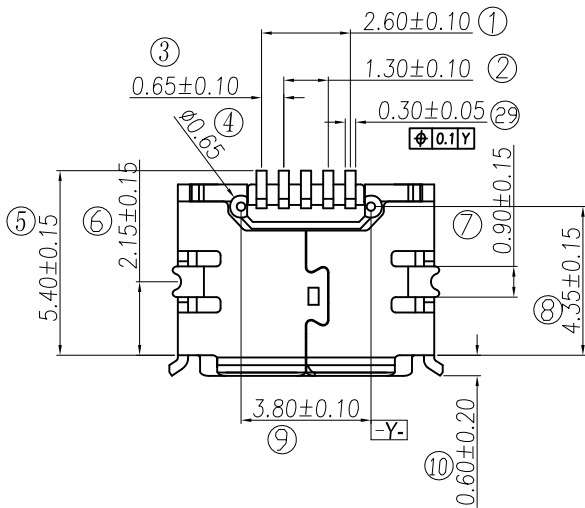
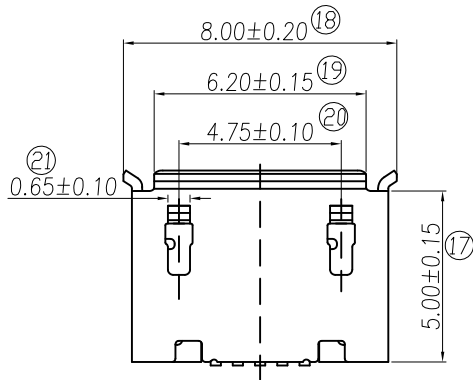
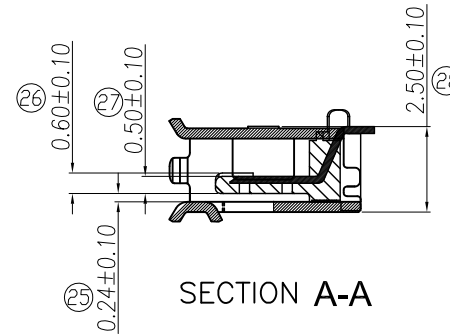


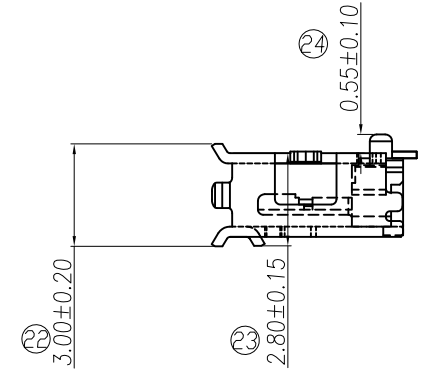
公母对插内部结构图



RECOMMEND P.C.B LAYOUT



SECTION A-A



NOTE:

1.ELECTRICAL PROPERTIES:

- 1-1.CONTACT CURRENT RATING:1.8A(ONLY PIN1,5) AT THE SAME TIME 0.5A AT CONTACT PIN 2,3,4 OTHER 1A(ONLY PIN2,3 4).
- 1-2.CONTACT RESISTANCE:30m Ohm MAX
- 1-3.INSULATION RESISTANCE:100M Ohm MIN AT DC 500V.
- 1-4.DIELECTRIC WITHSTANDING VOLTAGE:AC 100V AC/1 MINUTE 10mA.

2.MATERIAL:

- 2-1.PIN: BRASS
- 2-2.HOUSING: LCP COLOR:BLACK
- 2-3.SHELL: Stainless Steel

3.PLATING:

- 3-1.PIN:UNDERPLATED 50u" MIN,NICKEL OVER ALL. 1u".3u".5u".10u".15u". 30u"GOLD ON CONTACT AREA. 100u" MIN, TIN ON SOLDER TAILS.
- 3-2. SHELL: 30~80u",NICKEL OVER ALL.

4.Temperature range: -40°C~+85°C

3	SHELL	1	Stainless steel	T=0.30±0.01mm	Nickel Plated	D4470XX
2	CONTACT	5	Brass	T=0.20±0.01mm	Gold Flashfd	JCH0147-A
1	HOUSING	1	LCP		Black	JCH0147
No.	Part Name	Q'ty	Material	Thickness	Finish	Notes

DIMENSIONS TOLERANCE

METRIC

.0±0.30
.00±0.20
.000±0.10
ANG.=±3°

單位(UNITS)

MM

處理(FINISH)

SEE NOTE

審核(CH'K)

Calvin

圖名(NAME)

MICRO USB B TYPE 5P Female SMT 3.8

WISCONN Technology Co., Ltd

Tel:02-2742-1798 Fax:02-2742-1898

數量(QT'Y)

N/A

繪圖(DRAW)

Johnson

核准(APP'D)

Selena

料號(PART NUMBER)

WMRU2-05FLBSR-3.8

圖號(DRAW NUMBER)

T003

圖檔(FILE NAME .DWG)

比例 (SCALE)

1/1

圖紙 (SIZE)

A4

頁次 (SHEET)

1

版次 (REV.)

A