

### SPECIFICATIONS

#### 1.Electrical:

- 1.1 Contact resistance : 50mΩ max.
- 1.2 Dielectric withstanding voltage : 250 V RMS.
- 1.3 Insulation resistance : 50MΩ min.

#### 2.Mechanical:

- 2.1 Mate and unmate force:
  - 2.1.1 Mate force : 3.0kg MAX
  - 2.1.2 Unmate force : 1.02kg MIN
- 2.2 Durability : 3,000 cycles MIN.

#### 3.Environment:

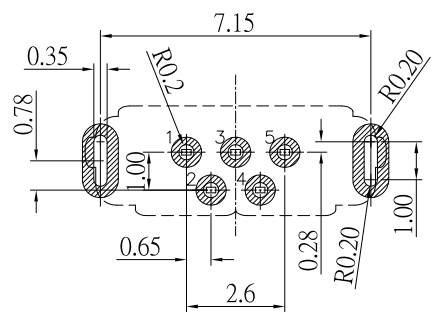
Operating Temperature : -20°C to +85°C.

#### 4.Material:

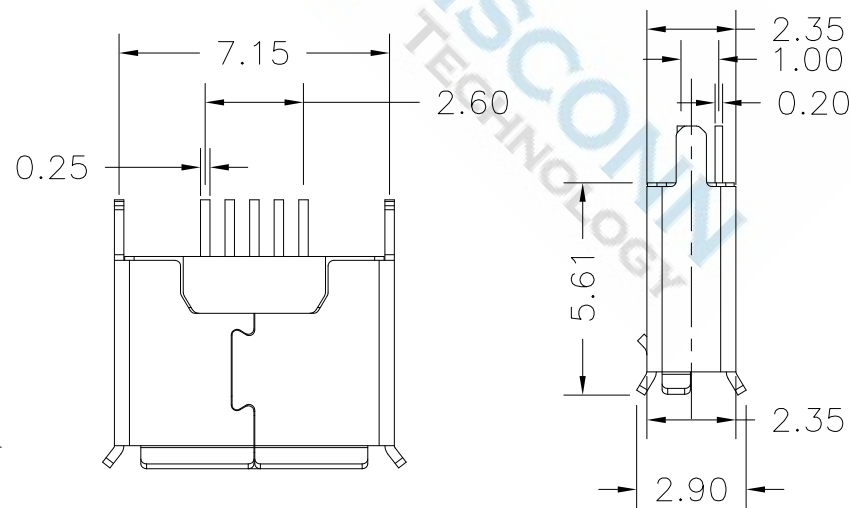
Housing: LCP,Black  
 Contact: Phosphor Bronze  
 Shell: SUS304

#### 5.Plating Layer:

Contact: Plated Gold in Mating Area ;  
 Gold Plated on Solder Balls ;  
 Nickel under plated overall  
 Shell: Tin under Plated surface layer



P.C.B LAYOUT MOUNTING PATTERN



DIMENSIONS TOLERANCE METRIC .0±±0.30 .00±±0.20 .000±±0.10 ANG.=±2°	單位<UNITS>	MM	處理<FINISH>	SEE NOTE	審核<CH'K>	Calvin	圖名<NAME>		WISCONN Technology Co., Ltd Tel:02-2742-1798 Fax:02-2742-1898				
	數量<QT'Y>	N/A	繪圖<DRAW>	Johnson	核准<APP'D>	Selena	MICRO USB2.0 AB Female 5P 180度						
	料號<PART NUMBER>	WMRU2AB-05GFLBDV	料號<DRAW NUMBER>	T002	圖檔<FILE NAME .DWG>								
	材料<MT'L>	SEE NOTE	設計<DE'N>	Mike	日期<DATE>	JAN.05.2015	比例<SCALE>	1/1	圖紙<SIZE>	A4	頁次<SHEET>	1	版次<REV.>