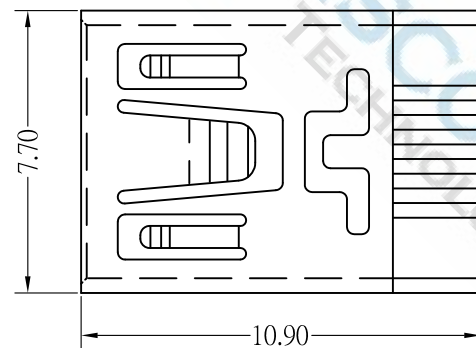
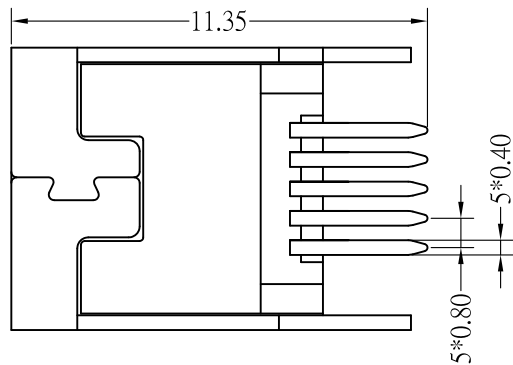


P. C. B LAYOUT



SPECIFICATION:

- 1.MATING FORCE : 35N MAX.
- 2.UNMATING FORCE : 3N MIN, AFTER 5,000 CYCLES.
- 3.DURABILITY : 5,000 CYCLES MIN.
- 4.CURRENT : 1.0A
- 5.WITHSTANDING VOLTAGE : 100V MAC.
- 6.CONTACT RESISTANCE : 50mΩ MAX INITIAL;
100mΩ MAX
AFTER 5,000 CYCLES.
- 7.INSULATION RESISTANCE : 100MΩ MIN.
- 8.OPERATING TEMPERATURE RANGE -30°C~+80°C

DIMENSIONS TOLERANCE METRIC .0±0.30 .00±0.20 .000±0.10 ANG.±2°	單位(UNITS)	MM	處理(FINISH)	SEE NOTE	審核(CH'K)	Calvin	圖名(NAME)		WISCONN Technology Co., Ltd Tel:02-2742-1798 Fax:02-2742-1898									
	數量(QT'Y)	N/A	繪圖(DRAW)	Johnson	核准(APP'D)	Selena	料號(PART NUMBER)						WMU2-05GFLBDV-8.5					
	材料(MT'L)	SEE NOTE	設計(DE'N)	Mike	日期 DATE)	OCT.15.2007	圖號(DRAW NUMBER)		T002		比例 (SCALE)	1/1	圖紙 (SIZE)	A4	頁次 (SHEET)	1	版次 (REV.)	A
							圖檔(FILE NAME .DWG)											