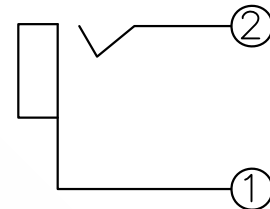
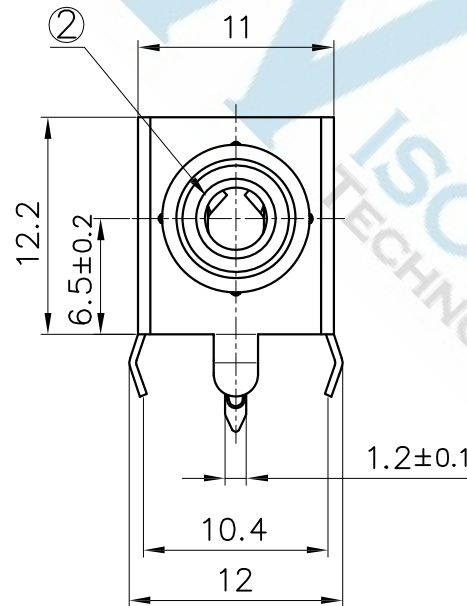
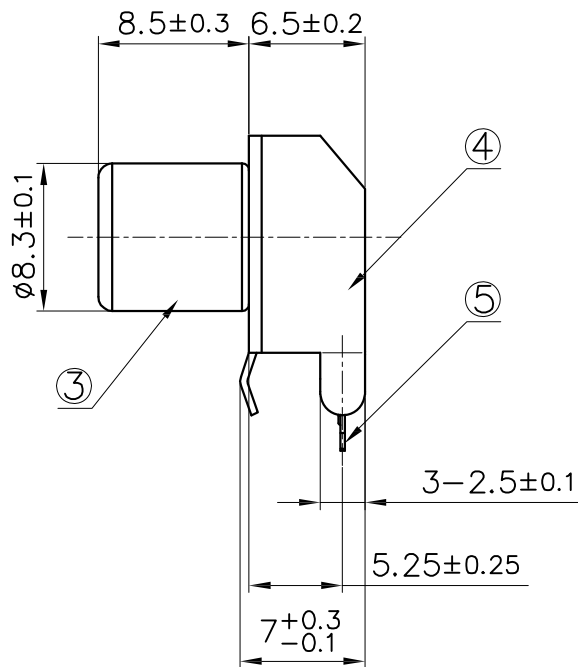
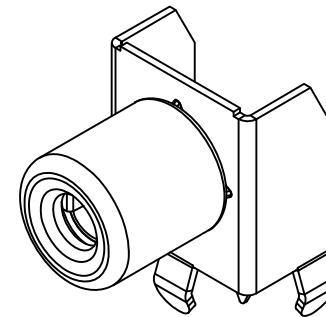
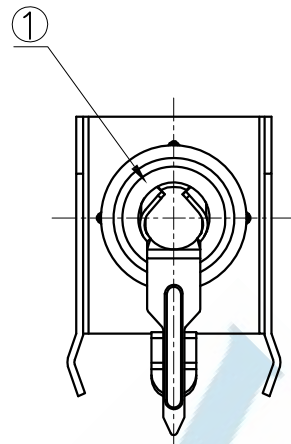
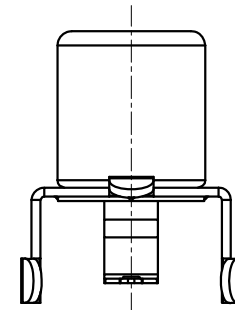


PCB Holes Diagram  
Top View



Circuit Diagram



|     |              |
|-----|--------------|
| 004 | YELLOW       |
| 003 | RED          |
| 002 | WHITE        |
| 001 | BLACK        |
| XXX | WASHER COLOR |

| NO. | PART NAME       | TER'NO. | QTY. | MATERIAL     | REMARK           |
|-----|-----------------|---------|------|--------------|------------------|
| 5   | INSERT TERMINAL | 2       | 1    | H62 t=0.25   | CuSn-Plated      |
| 4   | SUPPORT         | 1       | 1    | SPCC t=0.4   | CuSn-Plated      |
| 3   | OUTER CONTACT   |         | 1    | H65 t=0.3    | CuSn-Plated      |
| 2   | WASHER          |         | 1    | PBT UL94 V-0 | SEE WASHER COLOR |
| 1   | INNER HOUSING   |         | 1    | PBT UL94 V-0 | BLACK            |

|  |           |          |            |          |           |             |                                   |                    |   |      |           |     |           |   |          |   |
|--|-----------|----------|------------|----------|-----------|-------------|-----------------------------------|--------------------|---|------|-----------|-----|-----------|---|----------|---|
| DIMENSIONS TOLERANCE<br><b>METRIC</b><br>.0=±0.30<br>.00=±0.20<br>.000=±0.10<br>ANG.=±2° | 單位(UNITS) | MM       | 處理(FINISH) | SEE NOTE | 審核(CH'K)  | Calvin      | 圖名(NAME)<br>RCA TACK CONNECTOR 紅色 |                    | <b>WISCONN Technology Co., Ltd</b><br>Tel:02-2742-1798 Fax:02-2742-1898 |      |           |     |           |   |          |   |
|  | 數量(QT'Y)  | N/A      | 繪圖(DRAW)   | Johnson  | 核准(APP'D) | Selena      |                                   |                    |   |      |           |     |           |   |          |   |
|  | 材料(MT'L)  | SEE NOTE | 設計(DE'N)   | Mike     | 日期(DATE)  | OCT.15.2007 | 料號(PART NUMBER)                   | WRCA-103C-8.5-003  | 圖號(DRAW NUMBER)   | C003 | 圖紙(SIZE)  | A4  | 頁次(SHEET) | 1 | 版次(REV.) | A |
|  |           |          |            |          |           |             |                                   | 圖檔(FILE NAME .DWG) |   |      | 比例(SCALE) | 1/1 |           |   |          |   |